

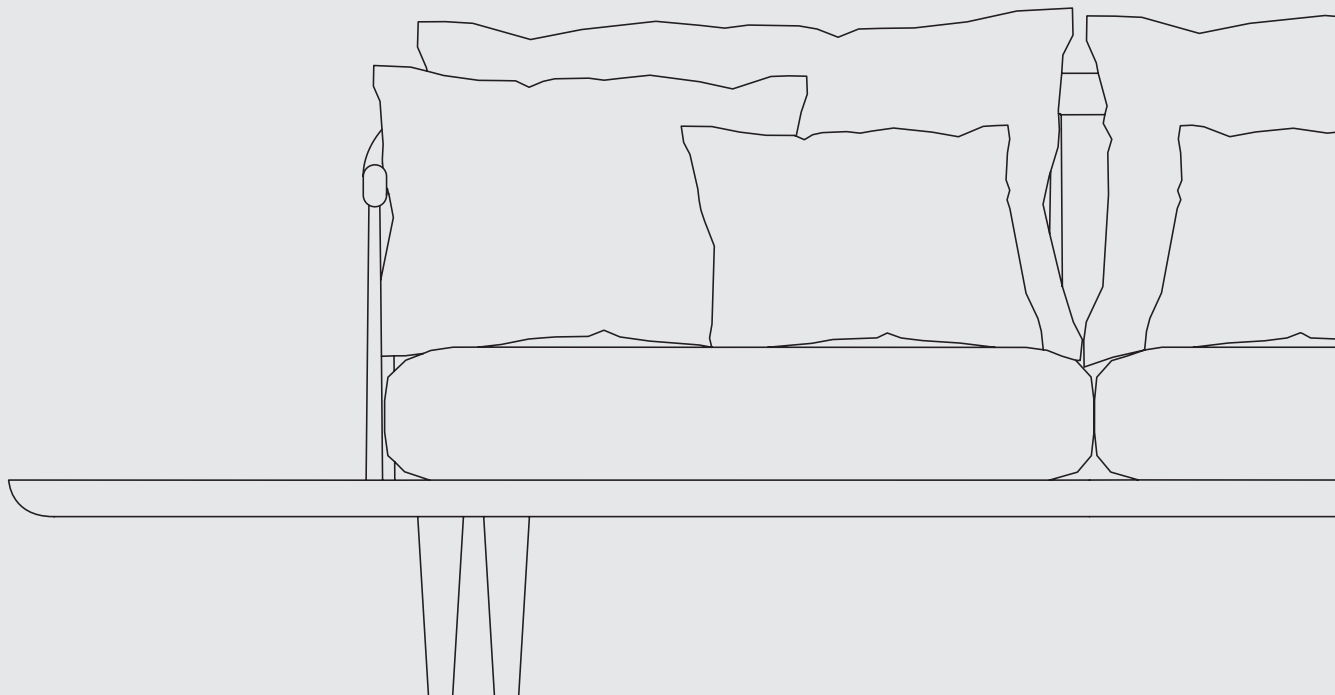
THE COLLECTION

(2018)

BY **&TRADITION**



PRICE LIST 2018 - VALID FROM JANUARY 15TH
CURRENCY: EURO EX VAT



&tradition[®]

INDEX

CHAIRS

Catch
p. 6-7



Catch
p. 8



In Between
p. 9-10



In Between
p. 11-12



Norm
p. 13



Pavilion
p. 14-16



Loafer
p. 17



LOUNGE AND SOFAS

Mayor
p. 18-19



Cloud
p. 20-23



Cloud
p. 24-26



Develius
p. 27-31



Isole
p. 32-33

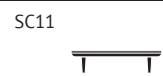
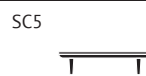
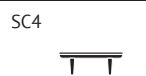


Fly
p. 34-39



TABLES

Fly
p. 40-41

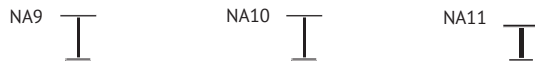


In Between
p. 42-44



INDEX

Nærvær
p. 45



Hoof
p. 46



Lato
p. 47



Palette
p. 29-30

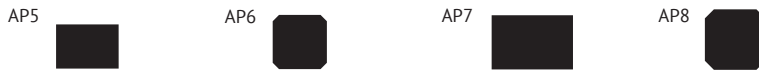


Shuffle
p. 31



ACCESSORIES

The Moor
p. 51



Amore
p. 52



True Colour
p. 53

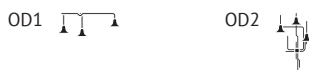


Tricolore
p. 54



LIGHTING

Light Forest
p. 55



Fornell
p. 56



Marble Light
p. 57



Blown
p. 58



Passepartout
p. 59



Milk
p. 60



Formakami
p. 61



INDEX

Working Title
p. 62



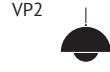
Bellevue
p. 63-64



Topan
p. 65



Flowerpot
p. 66-69



Mass Light
p. 70



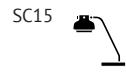
Ice Chandelier
p. 71



Utzon Lamp
p. 72



Copenhagen
p. 73-74



Trash Me
p. 75



Spinning
p. 76



Bulb & Mega Bulb
p. 77-78



Journey
p. 79



Configurations
p. 80-84

POS-Material
p. 85

Spare parts
p. 86-87

Materials & Maintenance
p. 88-89

Colour codes
p. 90

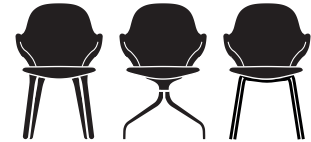
Packaging Information
p. 91-94

Sales Procedures for Dealers
p. 95-97

CHAIRS

CATCH JH1, JH2 & JH15

BY JAIME HAYON
2013 + 2017



Item code	Upholstery	Model	Base	Lead time	Weight	PRICE EX. VAT (EUR)
JH	Remix, Jacquard, Canvas	JH1	Solid oak	6-8 weeks	8.50 kg	510
		JH2	Swivel	6-8 weeks	9.50 kg	624
		JH15	Tube	6-8 weeks	8.50 kg	510
JH	Rime, Hallingdal, Divina, Divina MD, Divina Melange, Steelcut, Steelcut Trio, Tonus, Tonus Meadow, Hero, Fiord	JH1	Solid oak	6-8 weeks	8.50 kg	567
		JH2	Swivel	6-8 weeks	9.50 kg	681
		JH15	Tube	6-8 weeks	8.50 kg	567
JH	Balder, Sunniva, Vidar, Skai Parotega artificial leather, Colline	JH1	Solid oak	6-8 weeks	8.50 kg	681
		JH2	Swivel	6-8 weeks	9.50 kg	794
		JH15	Tube	6-8 weeks	8.50 kg	681
JH	Coda, Gentle, Pilot, Ria, Sonar	JH1	Solid oak	6-8 weeks	8.50 kg	794
		JH2	Swivel	6-8 weeks	9.50 kg	908
		JH15	Tube	6-8 weeks	8.50 kg	794
JH	CA-MO Sydney semi-aniline leather	JH1	Solid oak	6-8 weeks	8.50 kg	908
		JH2	Swivel	6-8 weeks	9.50 kg	1.021
		JH15	Tube	6-8 weeks	8.50 kg	908
JH	CA-MO Silk aniline leather	JH1	Solid oak	6-8 weeks	8.50 kg	1.021
		JH2	Swivel	6-8 weeks	9.50 kg	1.135
		JH15	Tube	6-8 weeks	8.50 kg	1.021
JH	Nubuck aniline leather	JH1	Solid oak	6-8 weeks	8.50 kg	1.476
		JH2	Swivel	6-8 weeks	9.50 kg	1.589
		JH15	Tube	6-8 weeks	8.50 kg	1.476
JH	COM Fabric	JH1	Solid oak	6-8 weeks	8.50 kg	510
		JH2	Swivel	6-8 weeks	9.50 kg	624
		JH15	Tube	6-8 weeks	8.50 kg	510
JH	COM Leather	JH1	Solid oak	6-8 weeks	8.50 kg	908
		JH2	Swivel	6-8 weeks	9.50 kg	1.021
		JH15	Tube	6-8 weeks	8.50 kg	908

Base Finish

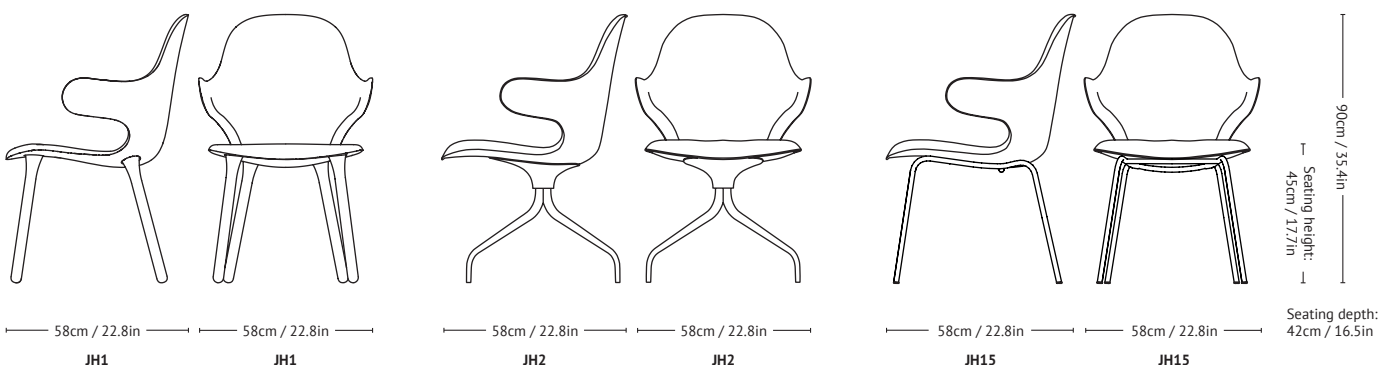
Solid oak	White or smoked oiled oak, Black lacquered oak
Swivel	Powder coated black, Polished aluminium
Tube	Powder coated black

Fabric usage: 1.8 meters based on 140cm roll.

Leather usage: 5 square meters.

COM must be approved by &tradition to ensure suitability for upholstery.

Material: Molded PU foam and CMHR foam.



CHAIRS

CATCH JH13, JH14 & JH18

BY JAIME HAYON
2017



Item code	Upholstery	Model	Base	Lead time	Weight	PRICE EX. VAT (EUR)
JH	Remix, Jacquard, Canvas	JH13	Flat tube	6-8 weeks	14.00 kg	1.249
		JH14	Round tube	6-8 weeks	14.00 kg	1.135
JH	Rime, Hallingdal, Divina, Divina MD, Divina Melange, Steelcut, Steelcut Trio, Tonus, Tonus Meadow, Hero, Fiord	JH13	Flat tube	6-8 weeks	14.00 kg	1.362
		JH14	Round tube	6-8 weeks	14.00 kg	1.249
JH	Balder, Sunniva, Vidar, Colline	JH13	Flat tube	6-8 weeks	14.00 kg	1.589
		JH14	Round tube	6-8 weeks	14.00 kg	1.476
JH	Coda, Gentle, Pilot, Ria, Sonar	JH13	Flat tube	6-8 weeks	14.00 kg	2.043
		JH14	Round tube	6-8 weeks	14.00 kg	1.930
JH	COM Fabric	JH13	Flat tube	6-8 weeks	14.00 kg	1.249
		JH14	Round tube	6-8 weeks	14.00 kg	1.135
JH	Silk leather	JH13	Flat tube	6-8 weeks	14.00 kg	2.157
		JH14	Round tube	6-8 weeks	14.00 kg	2.043

Base Finish

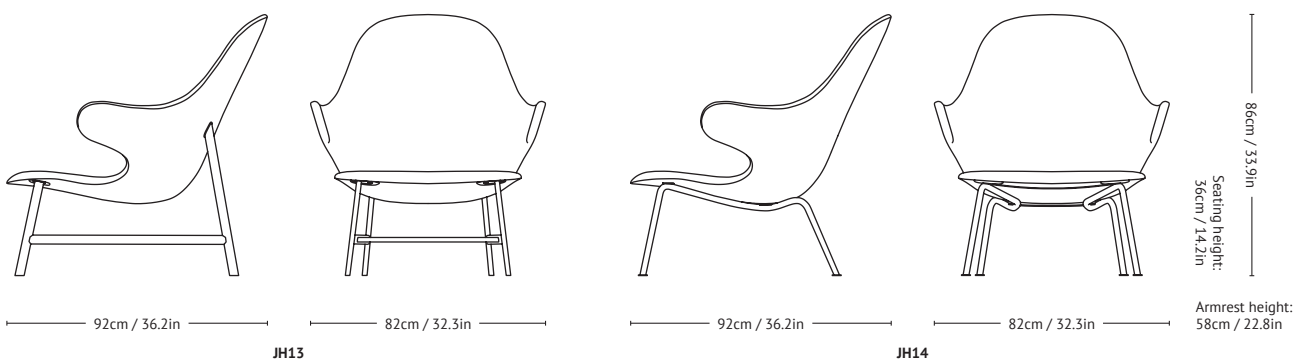
Flat tube	Warm black powder coated (RAL 8022)
Round tube	Warm black powder coated (RAL 8022)

Fabric usage: 3 meters based on 140cm roll.

COM must be approved by &tradition to ensure suitability for upholstery.

Catch JH13 & JH14 are not available in COM leather.

Material: Molded PU foam and CMHR foam.
Comes with felt glides installed as standard.



CHAIRS

CATCH JH16 & JH17

BY JAIME HAYON
2017



Item code	Upholstery	Model	Base	Lead time	Weight	PRICE EX. VAT (EUR)
JH	Remix, Jacquard, Canvas	JH16	Tube	6-8 weeks	11.20 kg	624
		JH17	Tube	6-8 weeks	11.50 kg	647
JH	Rime, Hallingdal, Divina, Divina MD, Divina Melange, Steelcut, Steelcut Trio, Tonus, Tonus Meadow, Hero, Fiord	JH16	Tube	6-8 weeks	11.20 kg	681
		JH17	Tube	6-8 weeks	11.50 kg	703
JH	Balder, Sunniva, Vidar, Skai Parotega artificial leather, Colline	JH16	Tube	6-8 weeks	11.20 kg	794
		JH17	Tube	6-8 weeks	11.50 kg	817
JH	Coda, Gentle, Pilot, Ria, Sonar	JH16	Tube	6-8 weeks	11.20 kg	908
		JH17	Tube	6-8 weeks	11.50 kg	931
JH	CA-MO Sydney semi-aniline leather	JH16	Tube	6-8 weeks	11.20 kg	1.021
		JH17	Tube	6-8 weeks	11.50 kg	1.044
JH	CA-MO Silk aniline leather	JH16	Tube	6-8 weeks	11.20 kg	1.135
		JH17	Tube	6-8 weeks	11.50 kg	1.158
JH	Nubuck aniline leather	JH16	Tube	6-8 weeks	11.20 kg	1.703
		JH17	Tube	6-8 weeks	11.50 kg	1.726
JH	COM Fabric	JH16	Tube	6-8 weeks	11.20 kg	624
		JH17	Tube	6-8 weeks	11.50 kg	647
JH	COM Leather	JH16	Tube	6-8 weeks	11.20 kg	1.021
		JH17	Tube	6-8 weeks	11.50 kg	1.044

Base Finish

Tube Powder coated black

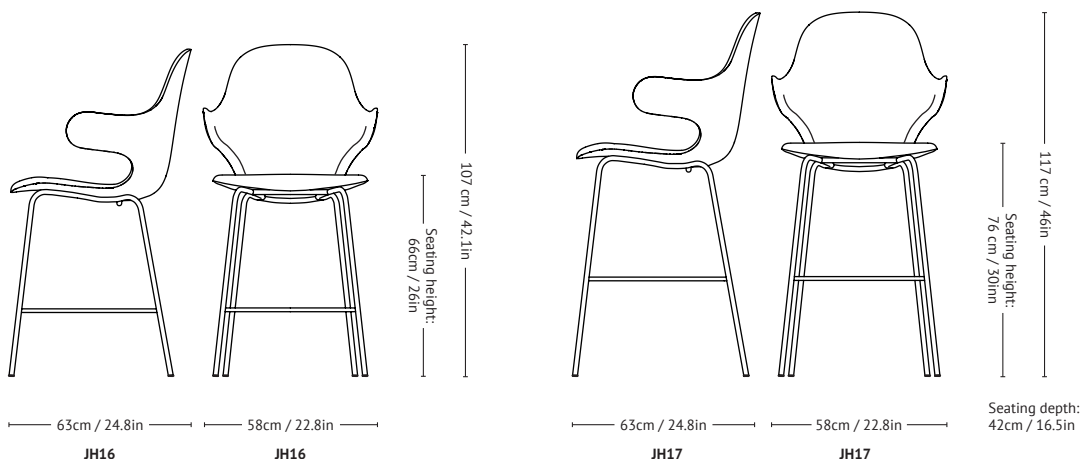
Fabric usage: 1,8 meters based on 140cm roll.

Leather usage: 5 square meters.

COM must be approved by &tradition to ensure suitability for upholstery.

Material: Molded PU foam and CMHR foam.

Comes with plastic glides suitable for most floor types installed as standard.



CHAIRS

IN BETWEEN SK1

BY SAMI KALLIO
2013

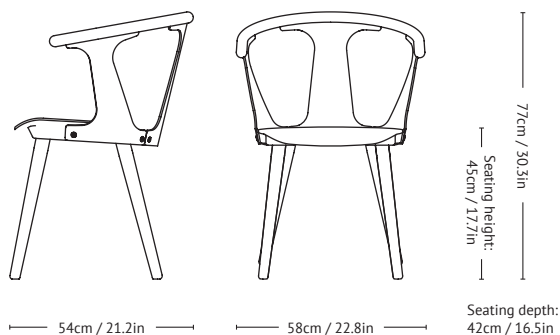


Item code	Product	Model	Colli qty.	Lead time	Weight	PRICE EX. VAT (EUR)
82010100	Smoked oiled oak	SK1	2 pc	Stock item	7.00 kg	329
82010192	White oiled oak	SK1	2 pc	Stock item	7.00 kg	329
82010194	Black lacquered oak	SK1	2 pc	Stock item	7.00 kg	329

Frame Finish

Wood White oiled oak, Smoked oiled oak,
Black lacquered oak

Material: Solid wood and formpressed veneer.
Comes with felt glides installed as standard.



CHAIRS

IN BETWEEN SK2

BY SAMI KALLIO
2013



Item code	Product	Model	Colli qty.	Lead time	Weight	PRICE EX. VAT (EUR)
82010310	White oiled oak with Fiord 251 upholstery	SK2	2 pc	Stock item	7.00 kg	397
82010312	Black lacquered oak with Fiord 191 upholstery	SK2	2 pc	Stock item	7.00 kg	397
82010311	Smoked oiled oak with Fiord 171 upholstery	SK2	2 pc	Stock item	7.00 kg	397
82010303	White oiled oak with Cognac Silk leather upholstery	SK2	2 pc	Stock item	7.00 kg	510
82010308	Black lacquered oak with Black Silk leather upholstery	SK2	2 pc	Stock item	7.00 kg	510
82010309	Smoked oiled oak with Black Silk leather upholstery	SK2	2 pc	Stock item	7.00 kg	510

Item code	Upholstery	Model	Colli qty.	Lead time	Weight	PRICE EX. VAT (EUR)
SK	Hot Madison, Remix, Canvas, Velvet	SK2	1 pc	6-8 weeks	7.00 kg	397
SK	Rime, Hallingdal, Divina, Divina MD, Divina Melange, Steelcut, Steelcut Trio, Tonus, Tonus Meadow, Hero, Fiord, Remix, Maple, Pine	SK2	1 pc	6-8 weeks	7.00 kg	454
SK	Balder, Sunniva, Vidar, Skai Parotega artificial leather, Harald, Colline	SK2	1 pc	6-8 weeks	7.00 kg	465
SK	Sonar, Pilot, Ria, Karakorum	SK2	1 pc	6-8 weeks	7.00 kg	510
SK	CA-MO Sydney semi-aniline leather	SK2	1 pc	6-8 weeks	7.00 kg	488
SK	CA-MO Silk aniline leather	SK2	1 pc	6-8 weeks	7.00 kg	510
SK	Nubuck aniline leather	SK2	1 pc	6-8 weeks	7.00 kg	567
SK	COM	SK2	1 pc	6-8 weeks	7.00 kg	397

Frame Finish

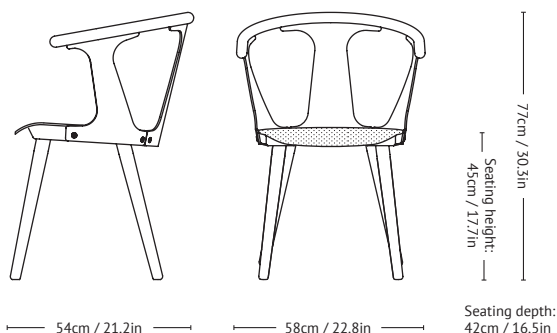
Wood White oiled oak, Smoked oiled oak, Black lacquered oak

Fabric usage: 60×60cm for one seat.

Leather usage: 60×60cm for one seat.

COM must be approved by &tradition to ensure suitability for upholstery.

Material: Solid wood, formpressed veneer and CMHR foam. Comes with felt glides installed as standard.



CHAIRS

IN BETWEEN SK7 & SK8

BY SAMI KALLIO
2017



Item code	Product	Model	Colli qty.	Lead time	Weight	PRICE EX. VAT (EUR)
82030700	Smoked oiled oak	SK7	1 pc	Stock item	6.50 kg	374
82030792	White oiled oak	SK7	1 pc	Stock item	6.50 kg	374
82030794	Black lacquered oak	SK7	1 pc	Stock item	6.50 kg	374

Item code	Upholstery	Model	Colli qty.	Lead time	Weight	PRICE EX. VAT (EUR)
SK	Hot Madison, Remix, Canvas, Velvet	SK8	1 pc	6-8 weeks	7.00 kg	454
SK	Rime, Hallingdal, Divina, Divina MD, Divina Melange, Steelcut, Steelcut Trio, Tonus, Tonus Meadow, Hero, Fiord, Maple, Pine	SK8	1 pc	6-8 weeks	7.00 kg	510
SK	Balder, Sunniva, Vidar, Skai Parotega artificial leather, Harald, Colline	SK8	1 pc	6-8 weeks	7.00 kg	522
SK	Sonar, Pilot, Ria, Karakorom	SK8	1 pc	6-8 weeks	7.00 kg	567
SK	CA-MO Sydney semi-aniline leather	SK8	1 pc	6-8 weeks	7.00 kg	545
SK	CA-MO Silk aniline leather	SK8	1 pc	6-8 weeks	7.00 kg	567
SK	Nubuck aniline leather	SK8	1 pc	6-8 weeks	7.00 kg	624
SK	COM	SK8	1 pc	6-8 weeks	7.00 kg	454

Frame Finish

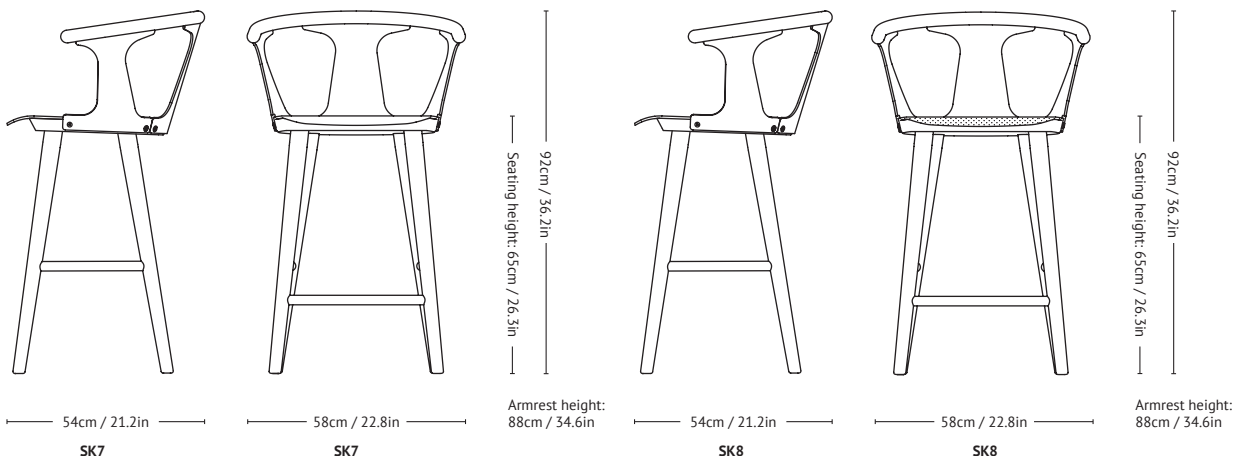
Wood White oiled oak, Smoked oiled oak, Black laquered oak

Fabric usage: 60×60cm for one seat.

Leather usage: 60×60cm for one seat.

COM must be approved by &tradition to ensure suitability for upholstery.

Material: Solid wood, formpressed veneer and CMHR foam. Comes with felt glides installed as standard.



CHAIRS

IN BETWEEN SK9 & SK10

BY SAMI KALLIO
2017



Item code	Product	Model	Colli qty.	Lead time	Weight	PRICE EX. VAT (EUR)
82030800	Smoked oiled oak	SK9	1 pc	Stock item	6.50 kg	397
82030892	White oiled oak	SK9	1 pc	Stock item	6.50 kg	397
82030894	Black lacquered oak	SK9	1 pc	Stock item	6.50 kg	397

Item code	Upholstery	Model	Colli qty.	Lead time	Weight	PRICE EX. VAT (EUR)
SK	Hot Madison, Remix, Canvas, Velvet	SK10	1 pc	6-8 Weeks	7.00 kg	476
SK	Rime, Hallingdal, Divina, Divina MD, Divina Melange, Steelcut, Steelcut Trio, Tonus, Tonus Meadow, Hero, Fiord, Maple, Pine	SK10	1 pc	6-8 Weeks	7.00 kg	533
SK	Balder, Sunniva, Vidar, Skai Parotega artificial leather, Harald, Colline	SK10	1 pc	6-8 Weeks	7.00 kg	545
SK	Sonar, Pilot, Ria, Karakorum	SK10	1 pc	6-8 Weeks	7.00 kg	590
SK	CA-MO Sydney semi-aniline leather	SK10	1 pc	6-8 Weeks	7.00 kg	567
SK	CA-MO Silk aniline leather	SK10	1 pc	6-8 Weeks	7.00 kg	590
SK	Nubuck aniline leather	SK10	1 pc	6-8 Weeks	7.00 kg	647
SK	COM	SK10	1 pc	6-8 Weeks	7.00 kg	476

Frame Finish

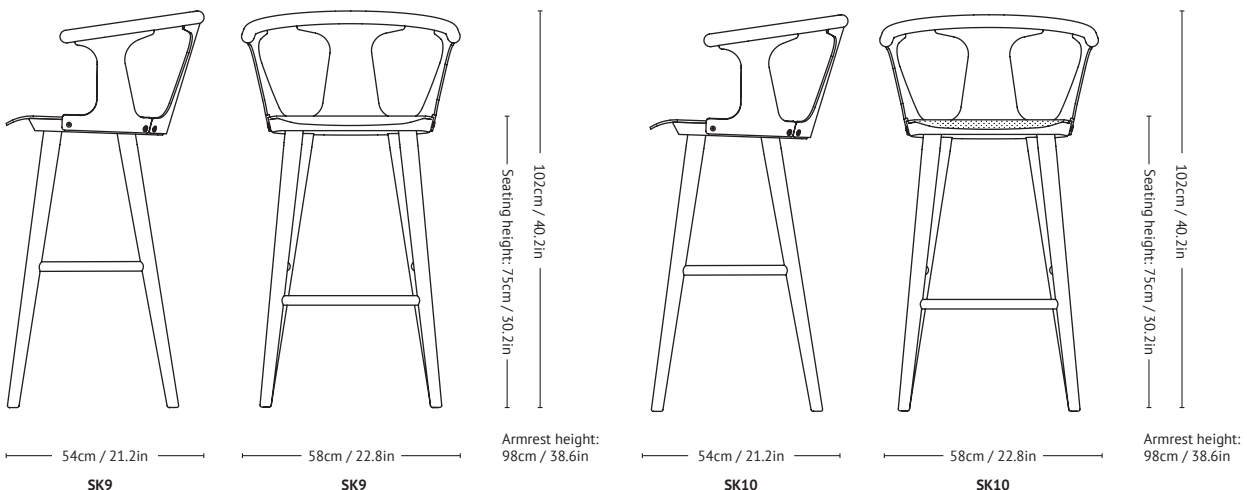
Wood White oiled oak, Smoked oiled oak, Black lacquered oak

Fabric usage: 60×60cm for one seat.

Leather usage: 60×60cm for one seat.

COM must be approved by &tradition to ensure suitability for upholstery.

Material: Solid wood, formpressed veneer and CMHR foam. Comes with felt glides installed as standard.



CHAIRS

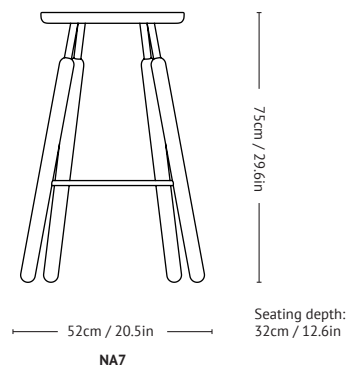
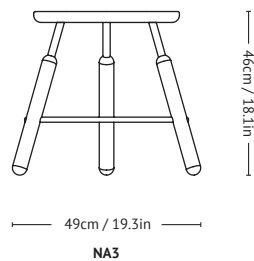
NORM NA3 & NA8

BY NORM ARCHITECTS
2011 + 2018



Item code	Product	Model	Colli qty.	Lead time	Weight	PRICE EX. VAT (EUR)
62023011	Black lacquered oak	NA3	1 pc	Stock item	4.50 kg	283
62021000	Smoked oiled oak	NA3	1 pc	Stock item	4.50 kg	283
62081094	Black lacquered oak	NA8	1 pc	Stock item	6.10 kg	363
62081000	Smoked oiled oak	NA8	1 pc	Stock item	6.10 kg	363

Material: Powdercoated steel and solid oak.



LOUNGE AND SOFAS

PAVILION AV1 & AV2

BY ANDERSSSEN & VOLL
2018



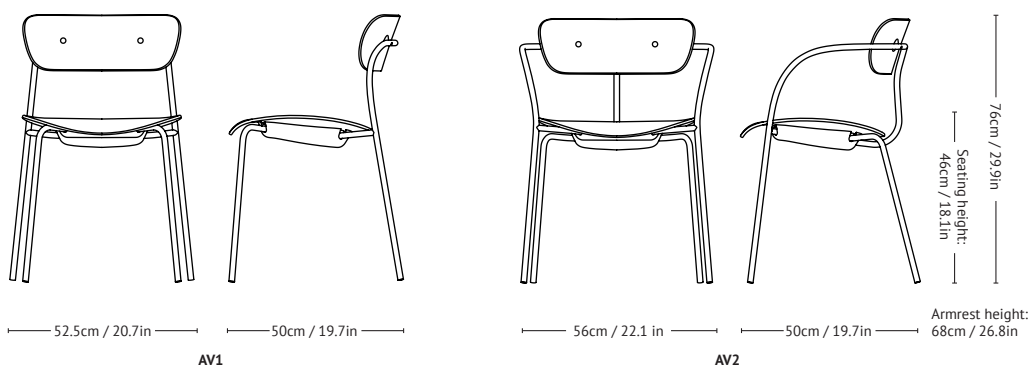
Item code	Product	Model	Colli qty.	Lead time	Weight	PRICE EX. VAT (EUR)
50010094	Black lacquered oak	AV1	2 pc	Stock item	7.50 kg	261
50010092	Lacquered oak	AV1	2 pc	Stock item	7.50 kg	261
50010096	Lacquered walnut	AV1	2 pc	Stock item	7.50 kg	272
50020094	Black lacquered oak	AV2	2 pc	Stock item	8.50 kg	306
50020092	Lacquered oak	AV2	2 pc	Stock item	8.50 kg	306
50020094	Lacquered walnut	AV2	2 pc	Stock item	8.50 kg	317

Frame Seat & back

Black Black laquered oak, Lacquered oak,
Lacquered walnut

Material: Steel tubes and formpressed veneer.

Comes with plastic glides suitable for most floor types installed as standard. Felt glides available upon request. Brass fittings for the front side of the back rest available upon request. Black fittings are standard.



LOUNGE AND SOFAS

PAVILION AV3

BY ANDERSSSEN & VOLL
2018



Item code	Upholstery	Model	Finish	Lead time	Weight	PRICE EX. VAT (EUR)
AV	Remix, Canvas, Hot Madison, Velvet	AV3	Black laquered oak	6-8 weeks	8.00 kg	340
		AV3	Lacquered oak	6-8 weeks	8.00 kg	340
		AV3	Lacquered walnut	6-8 weeks	8.00 kg	351
AV	Rime, Hallingdal, Divina, Divina MD, Divina Melange, Steelcut, Steelcut Trio, Tonus, Tonus Meadow, Hero, Fiord, Maple, Pine	AV3	Black laquered oak	6-8 weeks	8.00 kg	397
		AV3	Lacquered oak	6-8 weeks	8.00 kg	397
		AV3	Lacquered walnut	6-8 weeks	8.00 kg	408
AV	Balder, Sunniva, Vidar, Skai Parotgea artificial, Harald, Colline	AV3	Black laquered oak	6-8 weeks	8.00 kg	408
		AV3	Lacquered oak	6-8 weeks	8.00 kg	408
		AV3	Lacquered walnut	6-8 weeks	8.00 kg	420
AV	Sonar, Pilot, Ria, Karakorom	AV3	Black laquered oak	6-8 weeks	8.00 kg	454
		AV3	Lacquered oak	6-8 weeks	8.00 kg	454
		AV3	Lacquered walnut	6-8 weeks	8.00 kg	465
AV	CA-MO Sydney semi-aniline leather	AV3	Black laquered oak	6-8 weeks	8.00 kg	431
		AV3	Lacquered oak	6-8 weeks	8.00 kg	431
		AV3	Lacquered walnut	6-8 weeks	8.00 kg	442
AV	CA-MO Silk aniline leather	AV3	Black laquered oak	6-8 weeks	8.00 kg	454
		AV3	Lacquered oak	6-8 weeks	8.00 kg	454
		AV3	Lacquered walnut	6-8 weeks	8.00 kg	465
AV	Nubuck aniline leather	AV3	Black laquered oak	6-8 weeks	8.00 kg	510
		AV3	Lacquered oak	6-8 weeks	8.00 kg	510
		AV3	Lacquered walnut	6-8 weeks	8.00 kg	522
AV	COM	AV3	Black laquered oak	6-8 weeks	8.00 kg	340
		AV3	Lacquered oak	6-8 weeks	8.00 kg	340
		AV3	Lacquered walnut	6-8 weeks	8.00 kg	351

Frame Back

Black Black laquered oak, Lacquered oak, Lacquered walnut

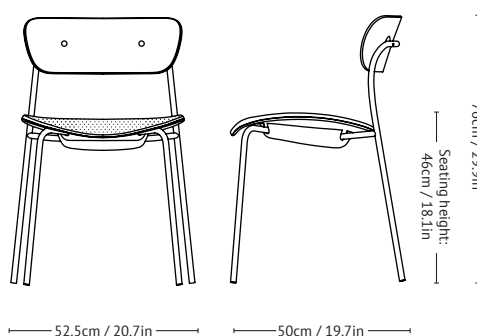
Fabric usage: 60×60cm for one seat

Leather usage: 60×60cm for one seat

COM must be approved by &tradition to ensure suitability for upholstery on the chair.

Material: Steel tubes, formpressed veneer, CMHR foam, fabric or leather upholstery.

Comes with plastic glides suitable for most floor types installed as standard. Felt glides available upon request. Brass fittings for the front side of the back rest available upon request. Black fittings are standard.

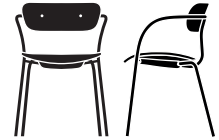


AV3

LOUNGE AND SOFAS

PAVILION AV4

BY ANDERSSSEN & VOLL
2018



Item code	Upholstery	Model	Finish	Lead time	Weight	PRICE EX. VAT (EUR)
AV	Remix, Canvas, Hot Madison, Velvet	AV4	Black laquered oak	6-8 weeks	9.00 kg	386
		AV4	Lacquered oak	6-8 weeks	9.00 kg	386
		AV4	Lacquered walnut	6-8 weeks	9.00 kg	397
AV	Rime, Hallingdal, Divina, Divina MD, Divina Melange, Steelcut, Steelcut Trio, Tonus, Tonus Meadow, Hero, Fiord, Maple, Pine	AV4	Black laquered oak	6-8 weeks	9.00 kg	442
		AV4	Lacquered oak	6-8 weeks	9.00 kg	442
		AV4	Lacquered walnut	6-8 weeks	9.00 kg	454
AV	Balder, Sunniva, Vidar, Skai Parotgea artificial, Harald, Colline	AV4	Black laquered oak	6-8 weeks	9.00 kg	454
		AV4	Lacquered oak	6-8 weeks	9.00 kg	454
		AV4	Lacquered walnut	6-8 weeks	9.00 kg	465
AV	Sonar, Pilot, Ria, Karakorum	AV4	Black laquered oak	6-8 weeks	9.00 kg	499
		AV4	Lacquered oak	6-8 weeks	9.00 kg	499
		AV4	Lacquered walnut	6-8 weeks	9.00 kg	510
AV	CA-MO Sydney semi-aniline leather	AV4	Black laquered oak	6-8 weeks	9.00 kg	476
		AV4	Lacquered oak	6-8 weeks	9.00 kg	476
		AV4	Lacquered walnut	6-8 weeks	9.00 kg	488
AV	CA-MO Silk aniline leather	AV4	Black laquered oak	6-8 weeks	9.00 kg	499
		AV4	Lacquered oak	6-8 weeks	9.00 kg	499
		AV4	Lacquered walnut	6-8 weeks	9.00 kg	510
AV	Nubuck aniline leather	AV4	Black laquered oak	6-8 weeks	9.00 kg	556
		AV4	Lacquered oak	6-8 weeks	9.00 kg	556
		AV4	Lacquered walnut	6-8 weeks	9.00 kg	567
AV	COM	AV4	Black laquered oak	6-8 weeks	9.00 kg	386
		AV4	Lacquered oak	6-8 weeks	9.00 kg	386
		AV4	Lacquered walnut	6-8 weeks	9.00 kg	397

Frame Back

Black Black laquered oak, Lacquered oak, Lacquered walnut

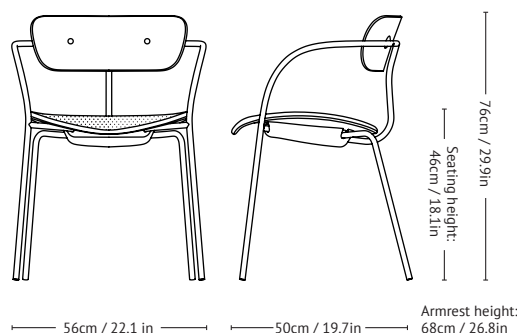
Fabric usage: 60×60cm for one seat

Leather usage: 60×60cm for one seat

COM must be approved by &tradition to ensure suitability for upholstery on the chair.

Material: Steel tubes, formpressed veneer, CMHR foam, fabric or leather upholstery.

Comes with plastic glides suitable for most floor types installed as standard. Felt glides available upon request. Brass fittings for the front side of the back rest available upon request. Black fittings are standard.



AV4

LOUNGE AND SOFAS

LOAFER SC23

BY SPACE COPENHAGEN
2018

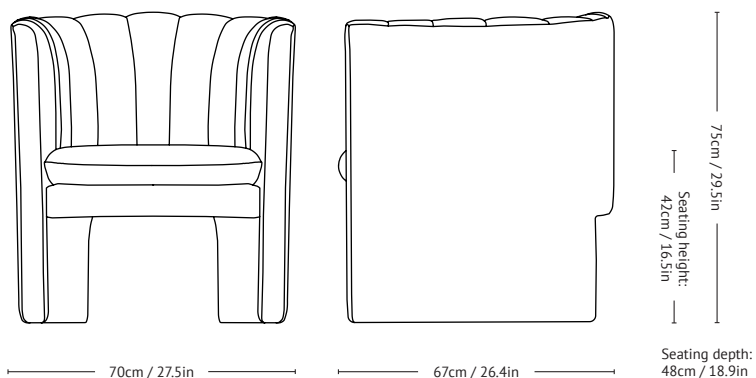


Item code	Product	Model	Colli qty.	Lead time	Weight	PRICE EX. VAT (EUR)
SC	Hot Madison, Remix, Canvas, Jacquard, Velvet	SC23	1 pc	6-8 weeks	26.00 kg	1.362
SC	Rime, Hallingdal, Divina, Divina MD, Divina Melange, Steelcut, Steelcut Trio, Tonus, Tonus Meadow, Hero, Fiord, Maple, Pine	SC23	1 pc	6-8 weeks	26.00 kg	1.476
SC	Balder, Sunniva, Vidar, Harald, Colline	SC23	1 pc	6-8 weeks	26.00 kg	1.703
SC	Sonar, Pilot, Ria, Karakorum	SC23	1 pc	6-8 weeks	26.00 kg	2.043
SC	COM Fabric	SC23	1 pc	6-8 weeks	26.00 kg	1.362

Fabric usage: 3.3 meters based on 140cm roll.

COM must be approved by &tradition to ensure suitability for upholstery on the chair.

Material: Wood, HR foam, polyester wadding, fabric upholstery. Comes with felt glides installed as standard.



LOUNGE AND SOFAS

MAYOR AJ5

BY ARNE JACOBSEN & FLEMMING LASSEN
1939



Item code	Product	Model	Colli qty.	Lead time	Weight	PRICE EX. VAT (EUR)
65101012	White oiled oak with Hallingdal 130	AJ5	1 pc	Stock item	45.00 kg	4.031

Item code	Upholstery	Model	Base	Lead time	Weight	PRICE EX. VAT (EUR)
AJ	Hot Madison, Remix, Canvas, Jacquard, Velvet	AJ5	Oak	6-8 weeks	45.00 kg	3.690
		AJ5	Walnut	6-8 weeks	45.00 kg	4.258
AJ	Rime, Hallingdal, Divina, Divina MD, Divina Melange, Steelcut, Steelcut Trio, Tonus, Tonus Meadow, Hero, Fiord, Maple, Pine	AJ5	Oak	6-8 weeks	45.00 kg	4.031
		AJ5	Walnut	6-8 weeks	45.00 kg	4.599
AJ	Balder, Sunniva, Vidar, Harald, Colline	AJ5	Oak	6-8 weeks	45.00 kg	4.371
		AJ5	Walnut	6-8 weeks	45.00 kg	4.939
AJ	Sonar, Pilot, Haakon, Ria, Karakorum	AJ5	Oak	6-8 weeks	45.00 kg	4.882
		AJ5	Walnut	6-8 weeks	45.00 kg	5.450
AJ	CA-MO Regina semi-aniline leather	AJ5	Oak	6-8 weeks	45.00 kg	5.223
		AJ5	Walnut	6-8 weeks	45.00 kg	5.677
AJ	CA-MO Silk aniline leather	AJ5	Oak	6-8 weeks	45.00 kg	5.677
		AJ5	Walnut	6-8 weeks	45.00 kg	6.245
AJ	Nubuck aniline leather	AJ5	Oak	6-8 weeks	45.00 kg	6.813
		AJ5	Walnut	6-8 weeks	45.00 kg	7.381
AJ	COM Fabric	AJ5	Oak	6-8 weeks	45.00 kg	3.690
		AJ5	Walnut	6-8 weeks	45.00 kg	4.258
AJ	COM Leather	AJ5	Oak	6-8 weeks	45.00 kg	5.223
		AJ5	Walnut	6-8 weeks	45.00 kg	5.677

Base Finish

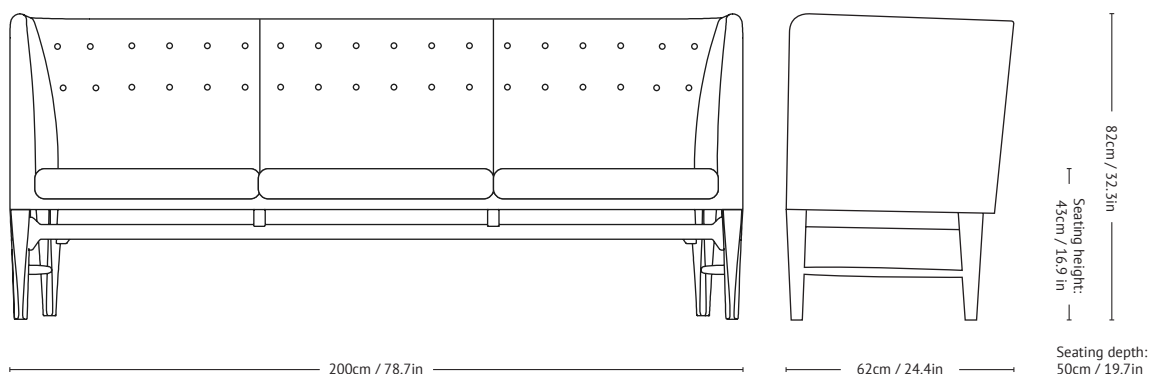
Solid oak White oiled oak, Smoked oiled oak, Black lacquered oak
Solid walnut Oiled

Fabric usage: 6.5 meters based on 140cm roll.

Leather usage: 12 square meters.

COM must be approved by &tradition to ensure suitability for upholstery.

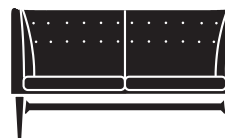
Material: Solid oak or walnut base, solid beech frame, elastic belts and CMHR foam. Fabric or leather upholstery. Comes with felt glides installed as standard.



LOUNGE AND SOFAS

MAYOR AJ6

BY ARNE JACOBSEN & FLEMMING LASSEN
1939



Item code	Upholstery	Model	Base	Lead time	Weight	PRICE EX. VAT (EUR)
AJ	Hot Madison, Remix, Canvas, Jacquard, Velvet	AJ6	Oak	6-8 weeks	38.00 kg	3.122
		AJ6	Walnut	6-8 weeks	38.00 kg	3.577
AJ	Rime, Hallingdal, Divina, Divina MD, Divina Melange, Steelcut, Steelcut Trio, Tonus, Tonus Meadow, Hero, Fiord, Maple, Pine	AJ6	Oak	6-8 weeks	38.00 kg	3.463
		AJ6	Walnut	6-8 weeks	38.00 kg	3.917
AJ	Balder, Sunniva, Vidar, Harald, Colline	AJ6	Oak	6-8 weeks	38.00 kg	3.804
		AJ6	Walnut	6-8 weeks	38.00 kg	4.258
AJ	Sonar, Pilot, Haakon, Ria, Karakorum	AJ6	Oak	6-8 weeks	38.00 kg	4.315
		AJ6	Walnut	6-8 weeks	38.00 kg	4.769
AJ	CA-MO Regina semi-aniline leather	AJ6	Oak	6-8 weeks	38.00 kg	4.655
		AJ6	Walnut	6-8 weeks	38.00 kg	4.996
AJ	CA-MO Silk aniline leather	AJ6	Oak	6-8 weeks	38.00 kg	5.110
		AJ6	Walnut	6-8 weeks	38.00 kg	5.564
AJ	Nubuck aniline leather	AJ6	Oak	6-8 weeks	38.00 kg	6.245
		AJ6	Walnut	6-8 weeks	38.00 kg	6.699
AJ	COM Fabric	AJ6	Oak	6-8 weeks	38.00 kg	3.122
		AJ6	Walnut	6-8 weeks	38.00 kg	3.577
AJ	COM Leather	AJ6	Oak	6-8 weeks	38.00 kg	4.655
		AJ6	Walnut	6-8 weeks	38.00 kg	4.996

Base Finish

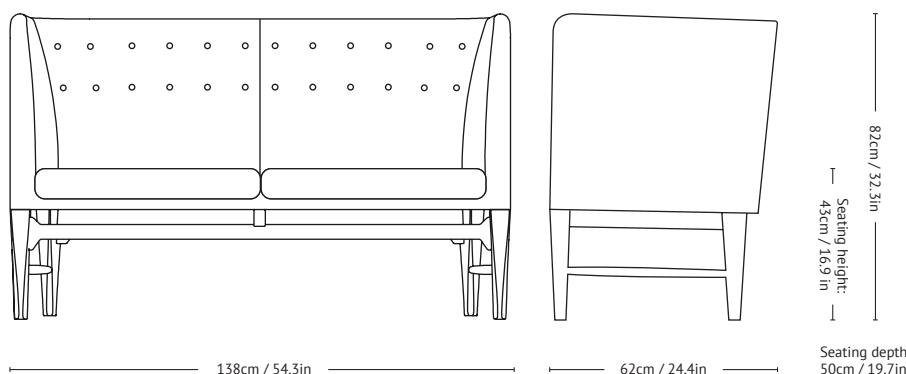
Solid oak White oiled oak, Smoked oiled oak,
Black lacquered oak
Solid walnut Oiled

Fabric usage: 5 meters based on 140cm roll.

Leather usage: 10 square meters.

COM must be approved by &tradition to ensure suitability for upholstery.

Material: Solid oak base, solid beech frame, elastic belts and CMHR foam. Fabric or leather upholstery. Comes with felt glides installed as standard.



LOUNGE AND SOFAS

CLOUD LN1

BY LUCA NICHETTO
2015



Item code	Upholstery	Model	Legs	Lead time	Weight	PRICE EX. VAT (EUR)
LN	Remix, Canvas, Hot Madison, Jacquard	LN1	Warm black or chrome	6-8 weeks	40.00 kg	1.873
		LN1	Bronzed	6-8 weeks	40.00 kg	2.100
LN	Rime, Hallingdal, Divina, Divina MD, Divina Melange, Steelcut, Steelcut Trio, Tonus, Tonus Meadow, Hero, Fiord, Maple, Pine	LN1	Warm black or chrome	6-8 weeks	40.00 kg	1.987
		LN1	Bronzed	6-8 weeks	40.00 kg	2.214
LN	Balder, Sunniva, Vidar, Colline	LN1	Warm black or chrome	6-8 weeks	40.00 kg	2.214
		LN1	Bronzed	6-8 weeks	40.00 kg	2.441
LN	Sonar, Pilot, Ria	LN1	Warm black or chrome	6-8 weeks	32.00 kg	2.555
		LN1	Bronzed	6-8 weeks	32.00 kg	2.782
LN	CA-MO Regina semi-aniline leather	LN1	Warm black or chrome	6-8 weeks	40.00 kg	3.122
		LN1	Bronzed	6-8 weeks	40.00 kg	3.349
LN	Aniline leather - Elmo Baltique, Elmo Rustical, CA-MO Silk	LN1	Warm black or chrome	6-8 weeks	40.00 kg	3.917
		LN1	Bronzed	6-8 weeks	40.00 kg	4.144
LN	Nubuck aniline leather	LN1	Warm black or chrome	6-8 weeks	40.00 kg	4.996
		LN1	Bronzed	6-8 weeks	40.00 kg	5.223
LN	COM Fabric	LN1	Warm black or chrome	6-8 weeks	40.00 kg	1.873
		LN1	Bronzed	6-8 weeks	40.00 kg	2.100
LN	COM Leather	LN1	Warm black or chrome	6-8 weeks	40.00 kg	3.122
		LN1	Bronzed	6-8 weeks	40.00 kg	3.349

Legs Finish

Solid steel tube Powder coated warm black (RAL 8022), Chrome or Bronzed

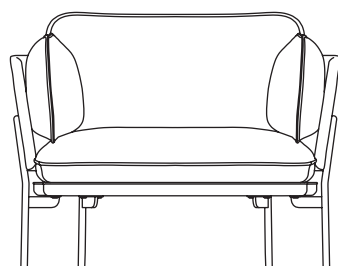
Fabric usage: 6 meters based on 140cm roll.

Leather usage: 14 square meters.

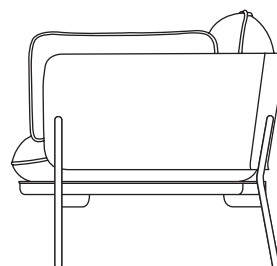
COM must be approved by &tradition to ensure suitability for upholstery.

Material: Plywood, solid wood and steel base with no-zag springs. HR foam, polyester fibers and feather pillows. Solid steel legs. Fabric or leather upholstery.

Comes with felt glides installed as standard.



100cm / 39.3in



84cm / 33in



Seating height:
75cm / 29.5in
40cm / 15.7in

Seating depth:
61cm / 24in

LOUNGE AND SOFAS

CLOUD LN2

BY LUCA NICHETTO
2015



Item code	Upholstery	Model	Legs	Lead time	Weight	PRICE EX. VAT (EUR)
LN	Remix, Canvas, Hot Madison, Jacquard	LN2	Warm black or chrome	6-8 weeks	57.00 kg	2.441
		LN2	Bronzed	6-8 weeks	57.00 kg	2.668
LN	Rime, Hallingdal, Divina, Divina MD, Divina Melange, Steelcut, Steelcut Trio, Tonus, Tonus Meadow, Hero, Fiord, Maple, Pine	LN2	Warm black or chrome	6-8 weeks	57.00 kg	2.555
		LN2	Bronzed	6-8 weeks	57.00 kg	2.782
LN	Balder, Sunniva, Vidar, Colline	LN2	Warm black or chrome	6-8 weeks	57.00 kg	3.009
		LN2	Bronzed	6-8 weeks	57.00 kg	3.236
LN	Sonar, Pilot, Ria	LN2	Warm black or chrome	6-8 weeks	57.00 kg	3.974
		LN2	Bronzed	6-8 weeks	57.00 kg	4.201
LN	CA-MO Regina semi-aniline leather	LN2	Warm black or chrome	6-8 weeks	57.00 kg	4.201
		LN2	Bronzed	6-8 weeks	57.00 kg	4.428
LN	Aniline leather - Elmo Baltique, Elmo Rustical, CA-MO Silk	LN2	Warm black or chrome	6-8 weeks	57.00 kg	5.337
		LN2	Bronzed	6-8 weeks	57.00 kg	5.564
LN	Nubuck aniline leather	LN2	Warm black or chrome	6-8 weeks	57.00 kg	6.699
		LN2	Bronzed	6-8 weeks	57.00 kg	6.927
LN	COM Fabric	LN2	Warm black or chrome	6-8 weeks	57.00 kg	2.441
		LN2	Bronzed	6-8 weeks	57.00 kg	2.668
LN	COM Leather	LN2	Warm black or chrome	6-8 weeks	57.00 kg	4.144
		LN2	Bronzed	6-8 weeks	57.00 kg	4.428

Legs Finish

Solid steel tube Powder coated warm black (RAL 8022), Chrome or Bronzed

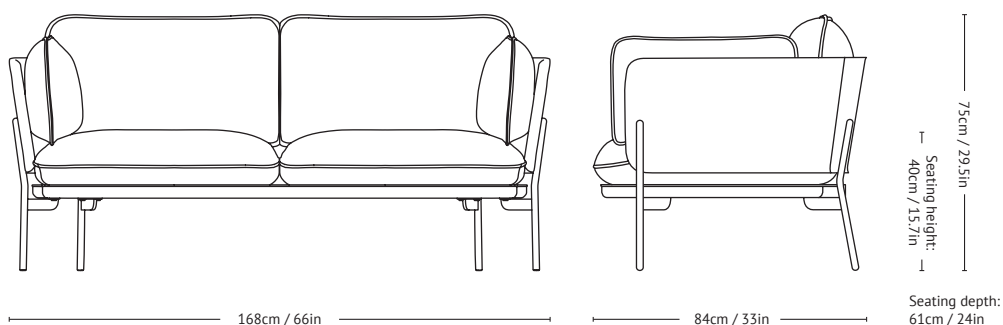
Fabric usage: 8 meters based on 140cm roll.

Leather usage: 19 square meters.

COM must be approved by &tradition to ensure suitability for upholstery.

Material: Plywood, solid wood and steel base with no-zag springs. HR foam, polyester fibers and feather pillows. Solid steel legs. Fabric or leather upholstery.

Comes with felt glides installed as standard.



LOUNGE AND SOFAS

CLOUD LN3.2

BY LUCA NICHETTO
2015



Item code	Upholstery	Model	Legs	Lead time	Weight	PRICE EX. VAT (EUR)
LN	Remix, Canvas, Hot Madison, Jacquard	LN3.2	Warm black or chrome	6-8 weeks	69.00 kg	3.009
		LN3.2	Bronzed	6-8 weeks	69.00 kg	3.236
LN	Rime, Hallingdal, Divina, Divina MD, Divina Melange, Steelcut, Steelcut Trio, Tonus, Tonus Meadow, Hero, Fiord, Maple, Pine	LN3.2	Warm black or chrome	6-8 weeks	69.00 kg	3.179
		LN3.2	Bronzed	6-8 weeks	69.00 kg	3.406
LN	Balder, Sunniva, Vidar, Colline	LN3.2	Warm black or chrome	6-8 weeks	69.00 kg	3.804
		LN3.2	Bronzed	6-8 weeks	69.00 kg	4.031
LN	Sonar, Pilot, Ria	LN3.2	Warm black or chrome	6-8 weeks	69.00 kg	4.655
		LN3.2	Bronzed	6-8 weeks	69.00 kg	4.882
LN	CA-MO Regina semi-aniline leather	LN3.2	Warm black or chrome	6-8 weeks	69.00 kg	4.655
		LN3.2	Bronzed	6-8 weeks	69.00 kg	4.882
LN	Aniline leather - Elmo Baltique, Elmo Rustical, CA-MO Silk	LN3.2	Warm black or chrome	6-8 weeks	69.00 kg	5.904
		LN3.2	Bronzed	6-8 weeks	69.00 kg	6.132
LN	Nubuck aniline leather	LN3.2	Warm black or chrome	6-8 weeks	69.00 kg	7.551
		LN3.2	Bronzed	6-8 weeks	69.00 kg	7.778
LN	COM Fabric	LN3.2	Warm black or chrome	6-8 weeks	69.00 kg	3.009
		LN3.2	Bronzed	6-8 weeks	69.00 kg	3.236
LN	COM Leather	LN3.2	Warm black or chrome	6-8 weeks	69.00 kg	4.655
		LN3.2	Bronzed	6-8 weeks	69.00 kg	4.882

Legs Finish

Solid steel tube Powder coated warm black (RAL 8022),
Chrome or Bronzed

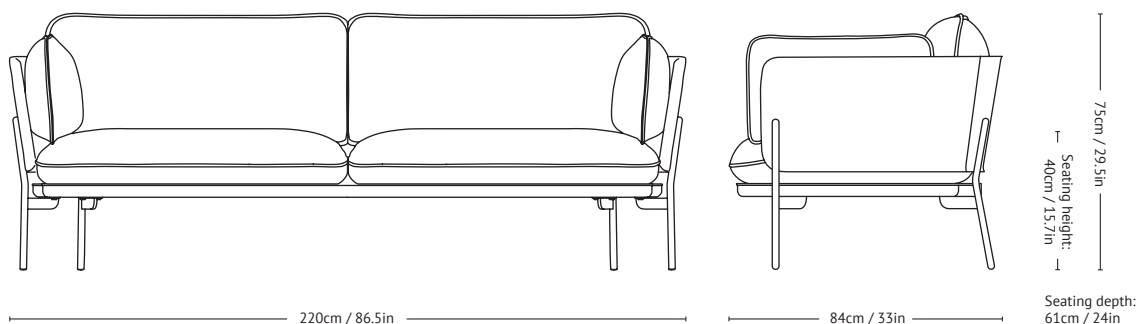
Fabric usage: 11 meters based on 140cm roll.

Leather usage: 21 square meters.

COM must be approved by &tradition to ensure suitability for upholstery.

Material: Plywood, solid wood and steel base with no-zag springs. HR foam, polyester fibers and feather pillows. Solid steel legs. Fabric or leather upholstery.

Comes with felt glides installed as standard.



LOUNGE AND SOFAS

CLOUD LN4

BY LUCA NICHETTO
2015



Item code	Upholstery	Model	Legs	Lead time	Weight	PRICE EX. VAT (EUR)
LN	Remix, Canvas, Hot Madison, Jacquard	LN4	Warm black or chrome	6-8 weeks	16.00 kg	738
		LN4	Bronzed	6-8 weeks	16.00 kg	965
LN	Rime, Hallingdal, Divina, Divina MD, Divina Melange, Steelcut, Steelcut Trio, Tonus, Tonus Meadow, Hero, Fiord, Maple, Pine	LN4	Warm black or chrome	6-8 weeks	16.00 kg	794
		LN4	Bronzed	6-8 weeks	16.00 kg	1.021
LN	Balder, Sunniva, Vidar, Colline	LN4	Warm black or chrome	6-8 weeks	16.00 kg	908
		LN4	Bronzed	6-8 weeks	16.00 kg	1.135
LN	Sonar, Pilot, Ria	LN4	Warm black or chrome	6-8 weeks	16.00 kg	1.135
		LN4	Bronzed	6-8 weeks	16.00 kg	1.362
LN	CA-MO Regina semi-aniline leather	LN4	Warm black or chrome	6-8 weeks	16.00 kg	908
		LN4	Bronzed	6-8 weeks	16.00 kg	1.135
LN	Aniline leather - Elmo Baltique, Elmo Rustical, CA-MO Silk	LN4	Warm black or chrome	6-8 weeks	16.00 kg	1.021
		LN4	Bronzed	6-8 weeks	16.00 kg	1.249
LN	Nubuck aniline leather	LN4	Warm black or chrome	6-8 weeks	16.00 kg	1.249
		LN4	Bronzed	6-8 weeks	16.00 kg	1.476
LN	COM Fabric	LN4	Warm black or chrome	6-8 weeks	16.00 kg	738
		LN4	Bronzed	6-8 weeks	16.00 kg	965
LN	COM Leather	LN4	Warm black or chrome	6-8 weeks	16.00 kg	908
		LN4	Bronzed	6-8 weeks	16.00 kg	1.135

Legs Finish

Solid steel tube Powder coated warm black (RAL 8022),
Chrome or Bronzed

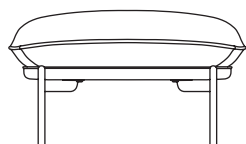
Fabric usage: 2 meters based on 140cm roll.

Leather usage: 2 square meters.

COM must be approved by &tradition to ensure suitability for upholstery.

Material: Plywood base. HR foam, polyester fibers and feather pillows. Solid steel legs. Fabric or leather upholstery.

Comes with felt glides installed as standard.



78cm / 30.7in

40cm / 15.7in

LOUNGE AND SOFAS

CLOUD LN5

BY LUCA NICHETTO
2018



Item code	Upholstery	Model	Legs	Lead time	Weight	PRICE EX. VAT (EUR)
LN	Remix, Canvas, Hot Madison, Jacquard	LN5	Warm black or chrome	6-8 weeks	50.00 kg	2.611
		LN5	Bronzed	6-8 weeks	50.00 kg	2.838
LN	Rime, Hallingdal, Divina, Divina MD, Divina Melange, Steelcut, Steelcut Trio, Tonus, Tonus Meadow, Hero, Fiord, Maple, Pine	LN5	Warm black or chrome	6-8 weeks	50.00 kg	2.952
		LN5	Bronzed	6-8 weeks	50.00 kg	3.179
LN	Balder, Sunniva, Vidar, Colline	LN5	Warm black or chrome	6-8 weeks	50.00 kg	3.406
		LN5	Bronzed	6-8 weeks	50.00 kg	3.633
LN	Sonar, Pilot, Ria	LN5	Warm black or chrome	6-8 weeks	50.00 kg	5.110
		LN5	Bronzed	6-8 weeks	50.00 kg	5.337
LN	COM Fabric	LN5	Warm black or chrome	6-8 weeks	50.00 kg	2.611
		LN5	Bronzed	6-8 weeks	50.00 kg	2.838

Legs Finish

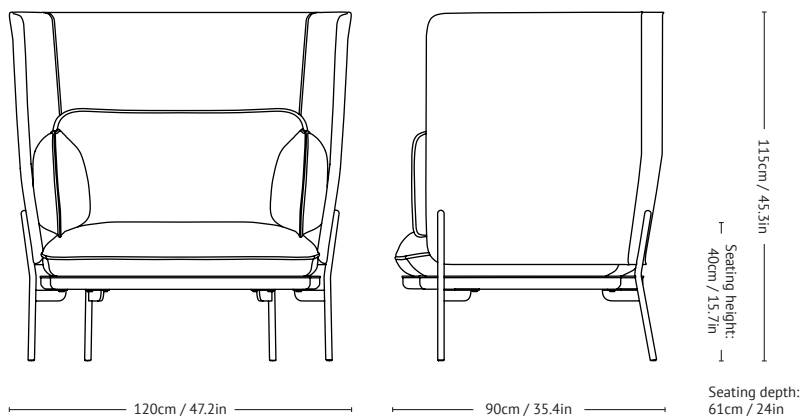
Solid steel tube Powder coated warm black (RAL 8022),
Chrome or Bronzed

Fabric usage: 12 meters based on 140cm roll.

COM must be approved by &tradition to ensure suitability for upholstery.

Material: Plywood, solid wood and steel base with no-zag springs. HR foam, polyester fibers and feather pillows. Solid steel legs. Fabric or leather upholstery.

Comes with felt glides installed as standard.



LOUNGE AND SOFAS

CLOUD LN6

BY LUCA NICHETTO
2017



Item code	Upholstery	Model	Base	Lead time	Weight	PRICE EX. VAT (EUR)
LN	Remix, Canvas, Hot Madison, Jacquard	LN6	Warm black or Chrome	6-8 weeks	71.00 kg	3.406
		LN6	Bronzed	6-8 weeks	71.00 kg	3.633
LN	Rime, Hallingdal, Divina, Divina MD, Divina Melange, Steelcut, Steelcut Trio, Tonus, Tonus Meadow, Hero, Fiord, Maple, Pine	LN6	Warm black or Chrome	6-8 weeks	71.00 kg	3.974
		LN6	Bronzed	6-8 weeks	71.00 kg	4.201
LN	Balder, Sunniva, Vidar, Colline	LN6	Warm black or Chrome	6-8 weeks	71.00 kg	4.542
		LN6	Bronzed	6-8 weeks	71.00 kg	4.769
LN	Sonar, Pilot, Ria	LN6	Warm black or Chrome	6-8 weeks	71.00 kg	6.813
		LN6	Bronzed	6-8 weeks	71.00 kg	7.040
LN	COM Fabric	LN6	Warm black or Chrome	6-8 weeks	71.00 kg	3.406
		LN6	Bronzed	6-8 weeks	71.00 kg	3.690

Legs Finish

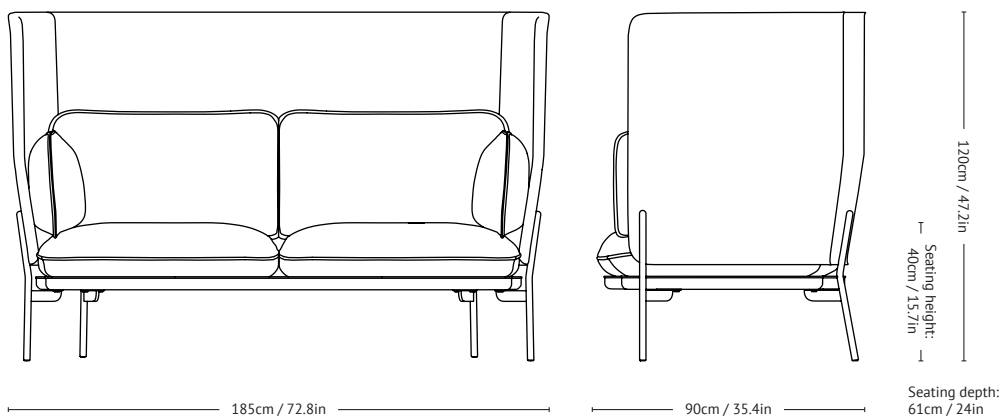
Solid steel tube Powder coated warm black (RAL 8022), chrome or bronzed

Fabric usage: 17 meters based on 140cm roll.

COM must be approved by &traditionto ensure suitability for upholstery.

Material: Plywood frame. Solid wood & steel base with no-zag springs. HR foam, polyester fibers and feather pillows. Solid steel legs. Fabric or upholstery.

Comes with felt glides installed as standard.



LOUNGE AND SOFAS

CLOUD LN7

BY LUCA NICHETTO
2017



Item code	Upholstery	Model	Base	Lead time	Weight	PRICE EX. VAT (EUR)
LN	Remix, Canvas, Hot Madison, Jacquard	LN7	Warm black or Chrome	6-8 weeks	85.00 kg	3.974
		LN7	Bronzed	6-8 weeks	85.00 kg	4.201
LN	Rime, Hallingdal, Divina, Divina MD, Divina Melange, Steelcut, Steelcut Trio, Tonus, Tonus Meadow, Hero, Fiord, Maple, Pine	LN7	Warm black or Chrome	6-8 weeks	85.00 kg	4.542
		LN7	Bronzed	6-8 weeks	85.00 kg	4.769
LN	Balder, Sunniva, Vidar, Colline	LN7	Warm black or Chrome	6-8 weeks	85.00 kg	5.450
		LN7	Bronzed	6-8 weeks	85.00 kg	5.677
LN	Sonar, Pilot, Ria	LN7	Warm black or Chrome	6-8 weeks	85.00 kg	8.516
		LN7	Bronzed	6-8 weeks	85.00 kg	8.743
LN	COM Fabric	LN7	Warm black or Chrome	6-8 weeks	85.00 kg	3.974
		LN7	Bronzed	6-8 weeks	85.00 kg	4.201

Legs Finish

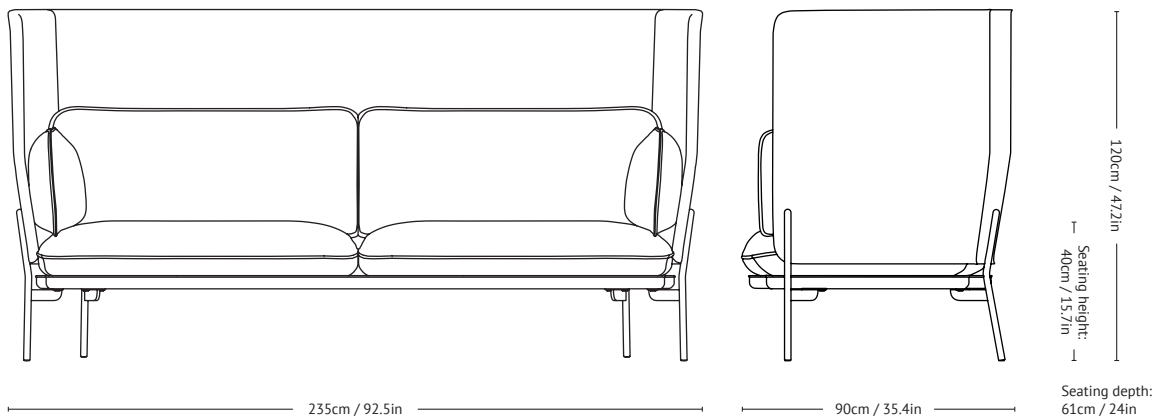
Solid steel tube Powder coated warm black (RAL 8022), chrome or bronzed

Fabric usage: 16 meters based on 140cm roll.

COM must be approved by &tradition to ensure suitability for upholstery.

Material: Plywood frame. Solid wood & steel base with no-zag springs. HR foam, polyester fibers and feather pillows. Solid steel legs. Fabric or upholstery.

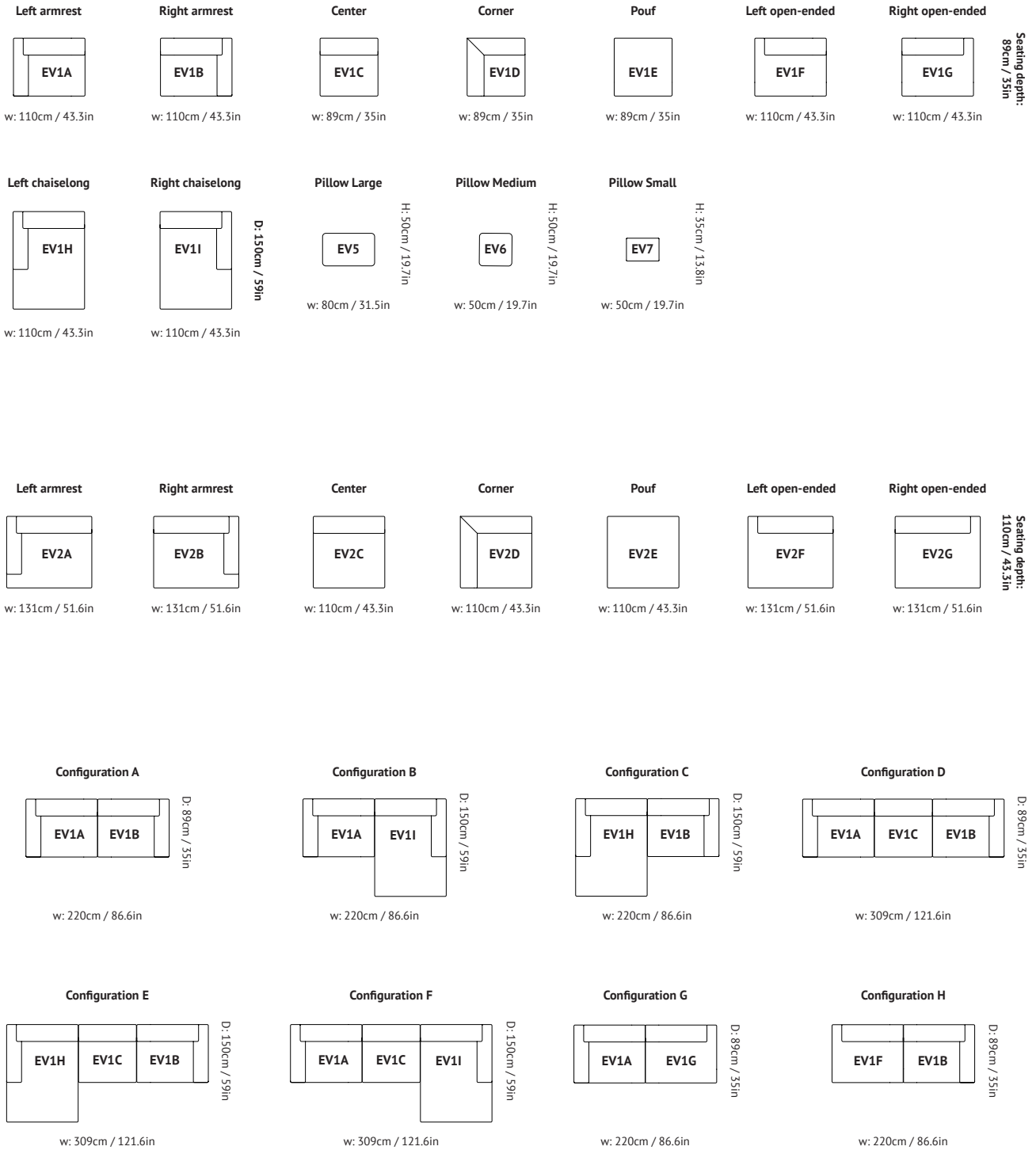
Comes with felt glides installed as standard.



LOUNGE AND SOFAS

DEVELIUS EV1-EV7

BY EDWARD VAN VLIET
2018



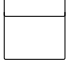


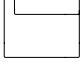
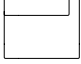
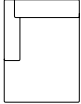
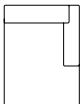


LOUNGE AND SOFAS

DEVELIUS EV1A-EV1I

BY EDWARD VAN VLIET
2018



Model	Product	Upholstery options	Lead time	Weight	PRICE EX. VAT (EUR)
EV1A	 Left armrest Fabric usage: 5.1m*	• Remix, Canvas, Hot Madison, Jacquard, Velvet	6-8 Weeks	50.00 kg	1.192
		• Hallingdal, Divina, Divina MD, Divina Melange, Steelcut, Steelcut Trio, Fiord, Rime, Maple, Pine	6-8 Weeks	50.00 kg	1.362
		• Balder, Sunniva, Vidar, Harald, Colline	6-8 Weeks	50.00 kg	1.703
		• Sonar, Pilot, Ria, Karakorum	6-8 Weeks	50.00 kg	2.611
		• COM	6-8 Weeks	50.00 kg	1.192
EV1B	 Right armrest Fabric usage: 5.1m*	• Remix, Canvas, Hot Madison, Jacquard, Velvet	6-8 Weeks	50.00 kg	1.192
		• Hallingdal, Divina, Divina MD, Divina Melange, Steelcut, Steelcut Trio, Fiord, Rime, Maple, Pine	6-8 Weeks	50.00 kg	1.362
		• Balder, Sunniva, Vidar, Harald, Colline	6-8 Weeks	50.00 kg	1.703
		• Sonar, Pilot, Ria, Karakorum	6-8 Weeks	50.00 kg	2.611
		• COM	6-8 Weeks	50.00 kg	1.192
EV1C	 Center Fabric usage: 3.6m*	• Remix, Canvas, Hot Madison, Jacquard, Velvet	6-8 Weeks	35.00 kg	1.021
		• Hallingdal, Divina, Divina MD, Divina Melange, Steelcut, Steelcut Trio, Fiord, Rime, Maple, Pine	6-8 Weeks	35.00 kg	1.135
		• Balder, Sunniva, Vidar, Harald, Colline	6-8 Weeks	35.00 kg	1.362
		• Sonar, Pilot, Ria, Karakorum	6-8 Weeks	35.00 kg	2.043
		• COM	6-8 Weeks	35.00 kg	1.021
EV1D	 Corner Fabric usage: 5.3m*	• Remix, Canvas, Hot Madison, Jacquard, Velvet	6-8 Weeks	43.00 kg	1.249
		• Hallingdal, Divina, Divina MD, Divina Melange, Steelcut, Steelcut Trio, Fiord, Rime, Maple, Pine	6-8 Weeks	43.00 kg	1.362
		• Balder, Sunniva, Vidar, Harald, Colline	6-8 Weeks	43.00 kg	1.703
		• Sonar, Pilot, Ria, Karakorum	6-8 Weeks	43.00 kg	2.611
		• COM	6-8 Weeks	43.00 kg	1.249
EV1E	 Pouf Fabric usage: 1.9m*	• Remix, Canvas, Hot Madison, Jacquard, Velvet	6-8 Weeks	26.00 kg	794
		• Hallingdal, Divina, Divina MD, Divina Melange, Steelcut, Steelcut Trio, Fiord, Rime, Maple, Pine	6-8 Weeks	26.00 kg	908
		• Balder, Sunniva, Vidar, Harald, Colline	6-8 Weeks	26.00 kg	1.021
		• Sonar, Pilot, Ria, Karakorum	6-8 Weeks	26.00 kg	1.362
		• COM	6-8 Weeks	26.00 kg	794
EV1F	 Left open-ended Fabric usage: 4.2m*	• Remix, Canvas, Hot Madison, Jacquard, Velvet	6-8 Weeks	43.00 kg	1.135
		• Hallingdal, Divina, Divina MD, Divina Melange, Steelcut, Steelcut Trio, Fiord, Rime, Maple	6-8 Weeks	43.00 kg	1.249
		• Balder, Sunniva, Vidar, Harald, Colline	6-8 Weeks	43.00 kg	1.589
		• Sonar, Pilot, Ria, Karakorum	6-8 Weeks	43.00 kg	2.384
		• COM	6-8 Weeks	43.00 kg	1.135
EV1G	 Right open-ended Fabric usage: 4.2m*	• Remix, Canvas, Hot Madison, Jacquard, Velvet	6-8 Weeks	43.00 kg	1.135
		• Hallingdal, Divina, Divina MD, Divina Melange, Steelcut, Steelcut Trio, Fiord, Rime, Maple, Pine	6-8 Weeks	43.00 kg	1.249
		• Balder, Sunniva, Vidar, Harald, Colline	6-8 Weeks	43.00 kg	1.589
		• Sonar, Pilot, Ria, Karakorum	6-8 Weeks	43.00 kg	2.384
		• COM	6-8 Weeks	43.00 kg	1.135
EV1H	 Left chaiselong Fabric usage: 5.9m*	• Remix, Canvas, Hot Madison, Jacquard, Velvet	6-8 Weeks	70.00 kg	1.589
		• Hallingdal, Divina, Divina MD, Divina Melange, Steelcut, Steelcut Trio, Fiord, Rime, Maple, Pine	6-8 Weeks	70.00 kg	1.703
		• Balder, Sunniva, Vidar, Harald, Colline	6-8 Weeks	70.00 kg	2.043
		• Sonar, Pilot, Ria, Karakorum	6-8 Weeks	70.00 kg	3.066
		• COM	6-8 Weeks	70.00 kg	1.589
EV1I	 Right chaiselong Fabric usage: 5.9m*	• Remix, Canvas, Hot Madison, Jacquard, Velvet	6-8 Weeks	70.00 kg	1.589
		• Hallingdal, Divina, Divina MD, Divina Melange, Steelcut, Steelcut Trio, Fiord, Rime, Maple, Pine	6-8 Weeks	70.00 kg	1.703
		• Balder, Sunniva, Vidar, Harald, Colline	6-8 Weeks	70.00 kg	2.043
		• Sonar, Pilot, Ria, Karakorum	6-8 Weeks	70.00 kg	3.066
		• COM	6-8 Weeks	70.00 kg	1.589

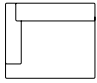
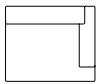
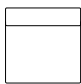
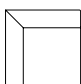
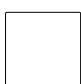
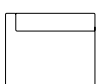
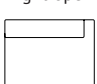
*Fabric usage is based on a 140cm roll

LOUNGE AND SOFAS

DEVELIUS EV2A-EV2G

BY EDWARD VAN VLIET
2018



Model	Product	Upholstery options	Lead time	Weight	PRICE EX. VAT (EUR)
EV2A	 Left armrest Fabric usage: 5.5m*	• Remix, Canvas, Hot Madison, Jacquard, Velvet	6-8 Weeks	63.00 kg	1.532
		• Hallingdal, Divina, Divina MD, Divina Melange, Steelcut, Steelcut Trio, Fiord, Rime, Maple, Pine	6-8 Weeks	63.00 kg	1.703
		• Balder, Sunniva, Vidar, Harald, Colline	6-8 Weeks	63.00 kg	2.043
		• Sonar, Pilot, Ria, Karakorum	6-8 Weeks	63.00 kg	2.952
		• COM	6-8 Weeks	63.00 kg	1.532
EV2B	 Right armrest Fabric usage: 5.5m*	• Remix, Canvas, Hot Madison, Jacquard, Velvet	6-8 Weeks	63.00 kg	1.532
		• Hallingdal, Divina, Divina MD, Divina Melange, Steelcut, Steelcut Trio, Fiord, Rime, Maple, Pine	6-8 Weeks	63.00 kg	1.703
		• Balder, Sunniva, Vidar, Harald, Colline	6-8 Weeks	63.00 kg	2.043
		• Sonar, Pilot, Ria, Karakorum	6-8 Weeks	63.00 kg	2.952
		• COM	6-8 Weeks	63.00 kg	1.532
EV2C	 Center Fabric usage: 4.2m*	• Remix, Canvas, Hot Madison, Jacquard, Velvet	6-8 Weeks	48.00 kg	1.362
		• Hallingdal, Divina, Divina MD, Divina Melange, Steelcut, Steelcut Trio, Fiord, Rime, Maple, Pine	6-8 Weeks	48.00 kg	1.476
		• Balder, Sunniva, Vidar, Harald, Colline	6-8 Weeks	48.00 kg	1.703
		• Sonar, Pilot, Ria, Karakorum	6-8 Weeks	48.00 kg	2.384
		• COM	6-8 Weeks	48.00 kg	1.362
EV2D	 Corner Fabric usage: 5.7m*	• Remix, Canvas, Hot Madison, Jacquard, Velvet	6-8 Weeks	57.00 kg	1.589
		• Hallingdal, Divina, Divina MD, Divina Melange, Steelcut, Steelcut Trio, Fiord, Rime, Maple, Pine	6-8 Weeks	57.00 kg	1.703
		• Balder, Sunniva, Vidar, Harald, Colline	6-8 Weeks	57.00 kg	2.043
		• Sonar, Pilot, Ria, Karakorum	6-8 Weeks	57.00 kg	2.952
		• COM	6-8 Weeks	57.00 kg	1.589
EV2E	 Pouf Fabric usage: 3m*	• Remix, Canvas, Hot Madison, Jacquard, Velvet	6-8 Weeks	32.00 kg	1.021
		• Hallingdal, Divina, Divina MD, Divina Melange, Steelcut, Steelcut Trio, Fiord, Rime, Maple, Pine	6-8 Weeks	32.00 kg	1.135
		• Balder, Sunniva, Vidar, Harald, Colline	6-8 Weeks	32.00 kg	1.362
		• Sonar, Pilot, Ria, Karakorum	6-8 Weeks	32.00 kg	1.816
		• COM	6-8 Weeks	32.00 kg	1.021
EV2F	 Left open-ended Fabric usage: 4.8m*	• Remix, Canvas, Hot Madison, Jacquard, Velvet	6-8 Weeks	57.00 kg	1.476
		• Hallingdal, Divina, Divina MD, Divina Melange, Steelcut, Steelcut Trio, Fiord, Rime, Maple, Pine	6-8 Weeks	57.00 kg	1.589
		• Balder, Sunniva, Vidar, Harald, Colline	6-8 Weeks	57.00 kg	1.930
		• Sonar, Pilot, Ria, Karakorum	6-8 Weeks	57.00 kg	2.725
		• COM	6-8 Weeks	57.00 kg	1.476
EV2G	 Right open-ended Fabric usage: 4.8m*	• Remix, Canvas, Hot Madison, Jacquard, Velvet	6-8 Weeks	57.00 kg	1.476
		• Hallingdal, Divina, Divina MD, Divina Melange, Steelcut, Steelcut Trio, Fiord, Rime, Maple, Pine	6-8 Weeks	57.00 kg	1.589
		• Balder, Sunniva, Vidar, Harald, Colline	6-8 Weeks	57.00 kg	1.930
		• Sonar, Pilot, Ria, Karakorum	6-8 Weeks	57.00 kg	2.725
		• COM	6-8 Weeks	57.00 kg	1.476

*Fabric usage is based on a 140cm roll

Material: Wooden frame, no-zag springs, HR foam and polyester wadding. Metal brackets for connecting modules.
COM must be approved by &tradition to ensure suitability for upholstery.

LOUNGE AND SOFAS

DEVELIUS EV5-EV7

BY EDWARD VAN VLIET
2018

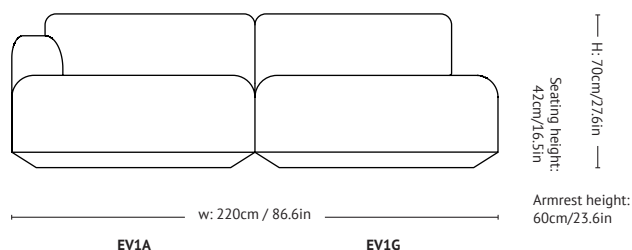


Model	Product	Upholstery options	Lead time	Weight	PRICE EX. VAT (EUR)
EV5	Pillow, large  Fabric usage: 0.9m*	• Remix, Canvas, Hot Madison, Jacquard, Velvet	6-8 Weeks	5.50 kg	170
		• Hallingdal, Divina, Divina MD, Divina Melange, Steelcut, Steelcut Trio, Fiord, Rime, Maple, Pine	6-8 Weeks	5.50 kg	192
		• Balder, Sunniva, Vidar, Harald, Colline	6-8 Weeks	5.50 kg	238
		• Sonar, Pilot, Ria, Karakorum	6-8 Weeks	5.50 kg	340
		• COM	6-8 Weeks	5.50 kg	170
EV6	Pillow, medium  Fabric usage: 0.6m*	• Remix, Canvas, Hot Madison, Jacquard, Velvet	6-8 Weeks	2.70 kg	136
		• Hallingdal, Divina, Divina MD, Divina Melange, Steelcut, Steelcut Trio, Fiord, Rime, Maple, Pine	6-8 Weeks	2.70 kg	158
		• Balder, Sunniva, Vidar, Harald, Colline	6-8 Weeks	2.70 kg	192
		• Sonar, Pilot, Ria, Karakorum	6-8 Weeks	2.70 kg	249
		• COM	6-8 Weeks	2.70 kg	136
EV7	Pillow, small  Fabric usage: 0.45m*	• Remix, Canvas, Hot Madison, Jacquard, Velvet	6-8 Weeks	1.30 kg	90
		• Hallingdal, Divina, Divina MD, Divina Melange, Steelcut, Steelcut Trio, Fiord, Rime, Maple, Pine	6-8 Weeks	1.30 kg	102
		• Balder, Sunniva, Vidar, Harald, Colline	6-8 Weeks	1.30 kg	124
		• Sonar, Pilot, Ria, Karakorum	6-8 Weeks	1.30 kg	181
		• COM	6-8 Weeks	1.30 kg	90

*Fabric usage is based on a 140cm roll

Material: Feather filling.

COM must be approved by & tradition to ensure suitability for upholstery.

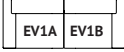
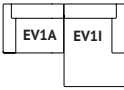
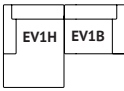
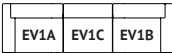
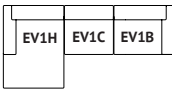
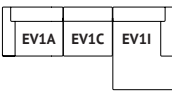
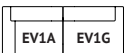
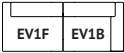


LOUNGE AND SOFAS

DEVELIUS

BY EDWARD VAN VLIET
2018

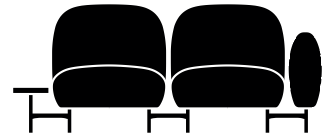


Model	Product	Upholstery options	Lead time	Weight	PRICE EX. VAT (EUR)
A	Configuration A 	• Remix, Canvas, Hot Madison, Jacquard, Velvet	6-8 Weeks	100.00 kg	2.384
		• Hallingdal, Divina, Divina MD, Divina Melange, Steelcut, Steelcut Trio, Fiord, Rime, Maple, Pine	6-8 Weeks	100.00 kg	2.724
		• Balder, Sunniva, Vidar, Harald, Colline	6-8 Weeks	100.00 kg	3.406
		• Sonar, Pilot, Ria, Karakorum	6-8 Weeks	100.00 kg	5.223
		• COM	6-8 Weeks	100.00 kg	2.384
B	Configuration B 	• Remix, Canvas, Hot Madison, Jacquard, Velvet	6-8 Weeks	120.00 kg	2.781
		• Hallingdal, Divina, Divina MD, Divina Melange, Steelcut, Steelcut Trio, Fiord, Rime, Maple, Pine	6-8 Weeks	120.00 kg	3.065
		• Balder, Sunniva, Vidar, Harald, Colline	6-8 Weeks	120.00 kg	3.746
		• Sonar, Pilot, Ria, Karakorum	6-8 Weeks	120.00 kg	5.677
		• COM	6-8 Weeks	120.00 kg	2.781
C	Configuration C 	• Remix, Canvas, Hot Madison, Jacquard, Velvet	6-8 Weeks	120.00 kg	2.781
		• Hallingdal, Divina, Divina MD, Divina Melange, Steelcut, Steelcut Trio, Fiord, Rime, Maple, Pine	6-8 Weeks	120.00 kg	3.065
		• Balder, Sunniva, Vidar, Harald, Colline	6-8 Weeks	120.00 kg	3.746
		• Sonar, Pilot, Ria, Karakorum	6-8 Weeks	120.00 kg	5.677
		• COM	6-8 Weeks	120.00 kg	2.781
D	Configuration D 	• Remix, Canvas, Hot Madison, Jacquard, Velvet	6-8 Weeks	135.00 kg	3.405
		• Hallingdal, Divina, Divina MD, Divina Melange, Steelcut, Steelcut Trio, Fiord, Rime, Maple, Pine	6-8 Weeks	135.00 kg	3.859
		• Balder, Sunniva, Vidar, Harald, Colline	6-8 Weeks	135.00 kg	4.768
		• Sonar, Pilot, Ria, Karakorum	6-8 Weeks	135.00 kg	7.266
		• COM	6-8 Weeks	135.00 kg	3.405
E	Configuration E 	• Remix, Canvas, Hot Madison, Jacquard, Velvet	6-8 Weeks	135.00 kg	3.803
		• Hallingdal, Divina, Divina MD, Divina Melange, Steelcut, Steelcut Trio, Fiord, Rime, Maple, Pine	6-8 Weeks	135.00 kg	4.200
		• Balder, Sunniva, Vidar, Harald, Colline	6-8 Weeks	135.00 kg	5.108
		• Sonar, Pilot, Ria, Karakorum	6-8 Weeks	135.00 kg	7.720
		• COM	6-8 Weeks	135.00 kg	3.803
F	Configuration F 	• Remix, Canvas, Hot Madison, Jacquard, Velvet	6-8 Weeks	155.00 kg	3.803
		• Hallingdal, Divina, Divina MD, Divina Melange, Steelcut, Steelcut Trio, Fiord, Rime, Maple, Pine	6-8 Weeks	155.00 kg	4.200
		• Balder, Sunniva, Vidar, Harald, Colline	6-8 Weeks	155.00 kg	5.108
		• Sonar, Pilot, Ria, Karakorum	6-8 Weeks	155.00 kg	7.720
		• COM	6-8 Weeks	155.00 kg	3.803
G	Configuration G 	• Remix, Canvas, Hot Madison, Jacquard, Velvet	6-8 Weeks	93.00 kg	2.327
		• Hallingdal, Divina, Divina MD, Divina Melange, Steelcut, Steelcut Trio, Fiord, Rime, Maple, Pine	6-8 Weeks	93.00 kg	2.611
		• Balder, Sunniva, Vidar, Harald, Colline	6-8 Weeks	93.00 kg	3.292
		• Sonar, Pilot, Ria, Karakorum	6-8 Weeks	93.00 kg	4.995
		• COM	6-8 Weeks	93.00 kg	2.327
H	Configuration H 	• Remix, Canvas, Hot Madison, Jacquard, Velvet	6-8 Weeks	93.00 kg	2.327
		• Hallingdal, Divina, Divina MD, Divina Melange, Steelcut, Steelcut Trio, Fiord, Rime, Maple, Pine	6-8 Weeks	93.00 kg	2.611
		• Balder, Sunniva, Vidar, Harald, Colline	6-8 Weeks	93.00 kg	3.292
		• Sonar, Pilot, Ria, Karakorum	6-8 Weeks	93.00 kg	4.995
		• COM	6-8 Weeks	93.00 kg	2.327

LOUNGE AND SOFAS

ISOLE NN1A-NN1G

BY NENDO & LUCA NICHETTO
2017



Item code	Upholstery	Model	Product	Lead time	PRICE EX. VAT (EUR)
NN	Uniform, Uniform Melange	NN1A	Seat	6-8 weeks	510
		NN1B	Back	6-8 weeks	397
		NN1C	Arm	6-8 weeks	283

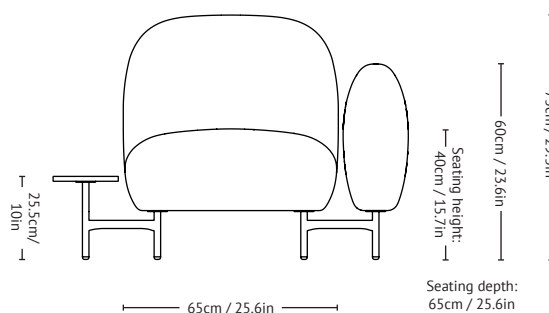
Item code	Table top finishes	Model	Product	Lead time	PRICE EX. VAT (EUR)
NN	Fenix laminate Black	NN1D	Round table	6-8 weeks	227
		NN1E	Rectangular table	6-8 weeks	340
		NN1F	Square Table	6-8 weeks	454

Item code	Base	Model	Lead time	PRICE EX. VAT (EUR)
NN	Floor mount set (2 pcs in one set)	NN1G	6-8 weeks	113

Base	Colour
Steel	Black

Material: Powder coated steel base, moulded CMHR foam seat, backrest and armrest. Black MDF table tops with nano laminate surface.

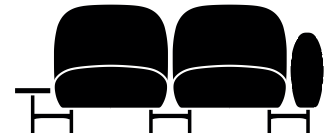
Modular system including base. Use model-app for configuration.



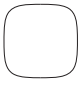




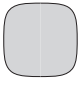
LOUNGE AND SOFAS

ISOLE NN1A-NN1G

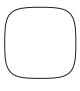
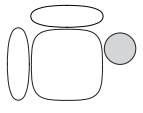
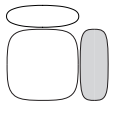
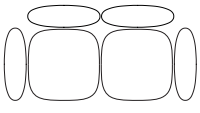
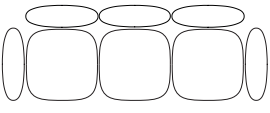
BY NENDO & LUCA NICHETTO
2017



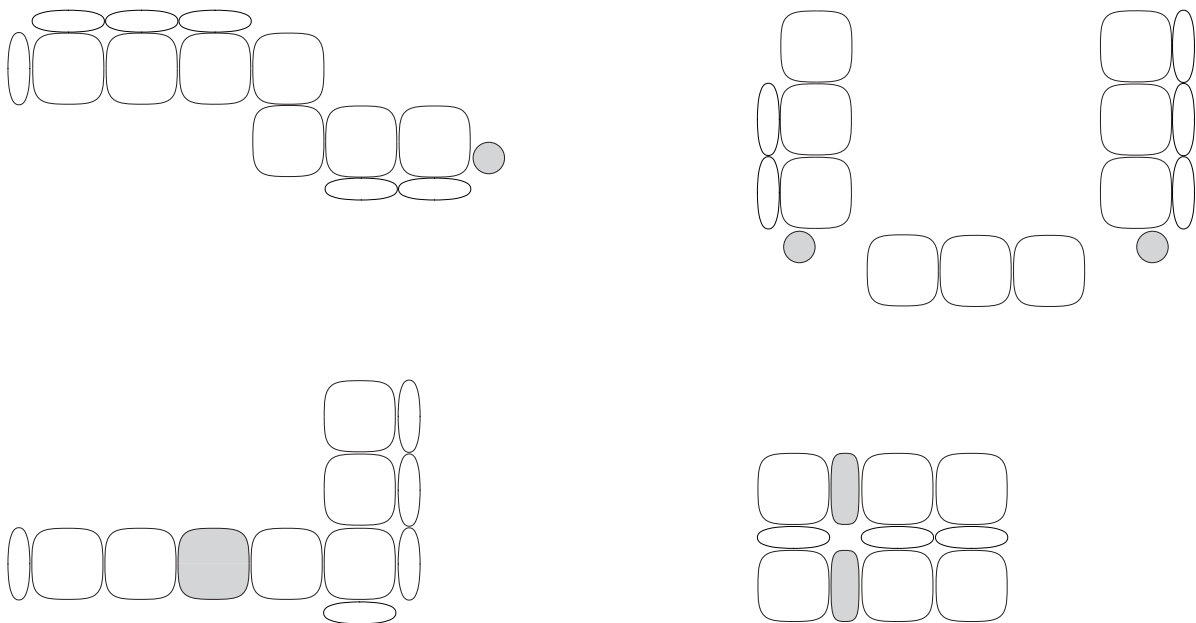
Dimensions

Seat	Back	Armrest	Round Table	Rectangular Table	Square Table
					
D: 65cm / 25.6in w: 65cm / 25.6in	D: 67cm / 26.4in w: 20cm / 7.9in	D: 67cm / 26.4in w: 20cm / 7.9in	Ø: 30cm / 11.8in	D: 65cm / 25.6in w: 20cm / 7.9in	D: 65cm / 25.6in w: 65cm / 25.6in

Simple configurations

				
D: 65cm / 25.59 in w: 65cm / 25.59in	w: 118.6cm / 46.69in	w: 87.5cm / 34.4in	w: 176cm / 69.3in	D: 87.6 cm / 34.48 in w: 242.2cm / 95.35in

Configurations



LOUNGE AND SOFAS

FLY SC10

BY SPACE COPENHAGEN
2017



Item code	Product	Model	Colli qty.	Lead time	Weight	PRICE EX. VAT (EUR)
65173001	White oiled oak with Hot Madison 094	SC10	1 pc	Stock item	22.00 kg	1.428
65173002	Smoked oiled oak with Hot Madison 093	SC10	1 pc	Stock item	22.00 kg	1.428
65173004	Smoked oiled oak with Harald 2 182	SC10	1 pc	Stock item	22.00 kg	1.680

Item code	Upholstery	Model	Lead time	Weight	PRICE EX. VAT (EUR)
SC	Hot Madison (all colors), Remix, Canvas, Jacquard, Velvet	SC10	6-8 weeks	22.00 kg	1.512
SC	Rime, Hallingdal, Divina, Divina MD, Divina Melange, Steelcut, Steelcut Trio, Tonus, Tonus Meadow, Hero, Fiord, Maple, Pine	SC10	6-8 weeks	22.00 kg	1.680
SC	Balder, Sunniva, Vidar, Harald, Colline	SC10	6-8 weeks	22.00 kg	2.100
SC	Sonar, Pilot, Haakon, Ria, Karakorum	SC10	6-8 weeks	22.00 kg	2.184
	COM fabric	SC10	6-8 weeks	22.00 kg	1.428

Item code	Add on	Lead time	Weight	PRICE EX. VAT (EUR)
65151000-3	Fly high legs - White oiled oak	Stock item	1.50 kg	90
65151100-3	Fly high legs - Smoked oiled oak	Stock item	1.50 kg	90

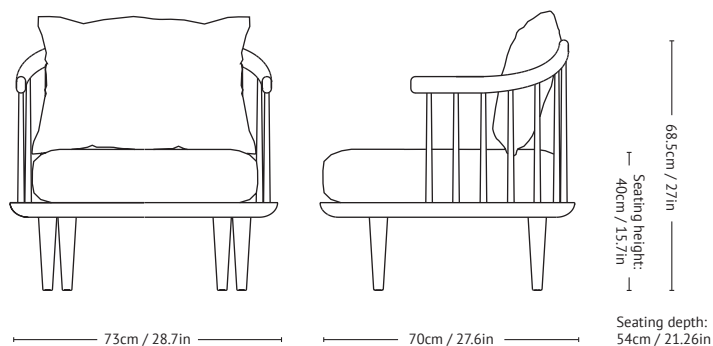
Oak White oiled oak, Smoked oiled oak

Fabric usage: 3 meters based on 140cm roll.

COM must be approved by &tradition to ensure suitability for upholstery.

Material: Oiled oak frame and base. CMHR foam & feather pillows.

Longer legs providing a seating height of 46cm are available upon request.



LOUNGE AND SOFAS

FLY SC1

BY SPACE COPENHAGEN
2014



Item code	Product	Model	Colli qty.	Lead time	Weight	PRICE EX. VAT (EUR)
65113001	White oiled oak with Hot Madison 094	SC1	1 pc	Stock item	30.00 kg	1.512
65113002	Smoked oiled oak with Hot Madison 093	SC1	1 pc	Stock item	30.00 kg	1.512
65113004	Smoked oiled oak with Harald 2 182	SC1	1 pc	Stock item	30.00 kg	1.848

Item code	Upholstery	Model	Lead time	Weight	PRICE EX. VAT (EUR)
SC	Hot Madison (all colors), Remix, Canvas, Jacquard, Velvet	SC1	6-8 weeks	30.00 kg	1.596
SC	Rime, Hallingdal, Divina, Divina MD, Divina Melange, Steelcut, Steelcut Trio, Tonus, Tonus Meadow, Hero, Fiord, Maple, Pine	SC1	6-8 weeks	30.00 kg	1.848
SC	Balder, Sunniva, Vidar, Harald, Colline	SC1	6-8 weeks	30.00 kg	2.184
SC	Sonar, Pilot, Haakon, Ria, Karakorum	SC1	6-8 weeks	30.00 kg	2.268
SC	COM fabric	SC1	6-8 weeks	30.00 kg	1.512

Item code	Add on	Lead time	Weight	PRICE EX. VAT (EUR)
65151000-3	Fly high legs - White oiled oak	Stock item	1.50 kg	90
65151100-3	Fly high legs - Smoked oiled oak	Stock item	1.50 kg	90

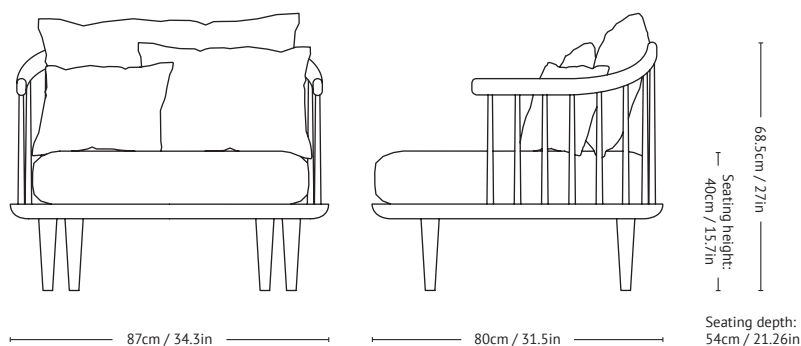
Oak White oiled oak, Smoked oiled oak

Fabric usage: 3.5 meters based on 140cm roll.

COM must be approved by &tradition to ensure suitability for upholstery.

Material: Oiled oak frame and base. CMHR foam & feather pillows.

Longer legs providing a seating height of 46cm are available upon request.



LOUNGE AND SOFAS

FLY SC2

BY SPACE COPENHAGEN
2017



Item code	Product	Model	Colli qty.	Lead time	Weight	PRICE EX. VAT (EUR)
65193001	White oiled oak with Hot Madison 094	SC2	1 pc	Stock item	60.00 kg	2.688
65193002	Smoked oiled oak with Hot Madison 093	SC2	1 pc	Stock item	60.00 kg	2.688
65193004	Smoked oiled oak with Harald 2 182	SC2	1 pc	Stock item	60.00 kg	3.361

	Upholstery	Model	Lead time	Weight	PRICE EX. VAT (EUR)
SC	Hot Madison (all colors), Remix, Canvas, Jacquard, Velvet	SC2	6-8 weeks	60.00 kg	2.838
SC	Rime, Hallingdal, Divina, Divina MD, Divina Melange, Steelcut, Steelcut Trio, Tonus, Tonus Meadow, Hero, Fiord, Maple, Pine	SC2	6-8 weeks	60.00 kg	3.361
SC	Balder, Sunniva, Vidar, Harald, Colline	SC2	6-8 weeks	60.00 kg	3.781
SC	Sonar, Pilot, Haakon, Ria, Karakorum	SC2	6-8 weeks	60.00 kg	4.201
SC	COM fabric	SC2	6-8 weeks	60.00 kg	2.688

Item code	Add on	Lead time	Weight	PRICE EX. VAT (EUR)
65151000-3	Fly high legs - White oiled oak	Stock item	1.50 kg	90
65151100-3	Fly high legs - Smoked oiled oak	Stock item	1.50 kg	90

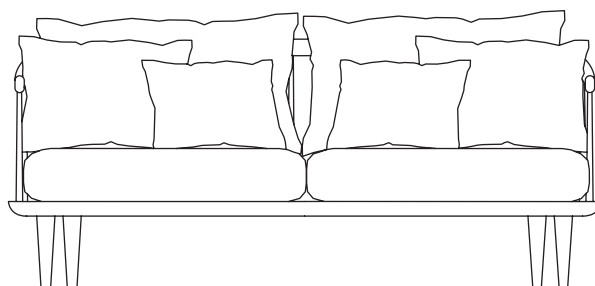
Oak White oiled oak, Smoked oiled oak

Fabric usage: 6.5 meters based on 140cm roll.

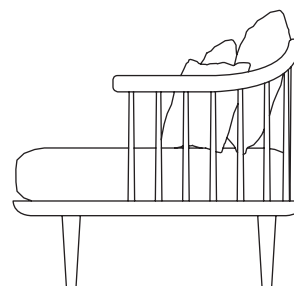
COM must be approved by &tradition to ensure suitability for upholstery.

Material: Oiled oak frame and base. CMHR foam & feather pillows.

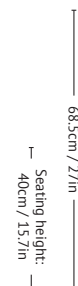
Longer legs providing a seating height of 46cm are available upon request.



162cm / 63.8in



80cm / 31.5in



68.5cm / 27in
Seating height:
40cm / 15.7in

Seating depth:
54cm / 21.26in

LOUNGE AND SOFAS

FLY SC3

BY SPACE COPENHAGEN
2014



Item code	Product	Model	Colli qty.	Lead time	Weight	PRICE EX. VAT (EUR)
65143001	White oiled oak with Hot Madison 094	SC3	1 pc	Stock item	70.00 kg	2.940
65143002	Smoked oiled oak with Hot Madison 093	SC3	1 pc	Stock item	70.00 kg	2.940
65143004	Smoked oiled oak with Harald 2 182	SC3	1 pc	Stock item	70.00 kg	3.613

	Upholstery	Model	Lead time	Weight	PRICE EX. VAT (EUR)
SC	Hot Madison (all colors), Remix, Canvas, Jacquard, Velvet	SC3	6-8 weeks	70.00 kg	3.108
SC	Rime, Hallingdal, Divina, Divina MD, Divina Melange, Steelcut, Steelcut Trio, Tonus, Tonus Meadow, Hero, Fiord, Maple, Pine	SC3	6-8 weeks	70.00 kg	3.613
SC	Balder, Sunniva, Vidar, Harald, Colline	SC3	6-8 weeks	70.00 kg	4.201
SC	Sonar, Pilot, Haakon, Ria, Karakorum	SC3	6-8 weeks	70.00 kg	4.453
SC	COM fabric	SC3	6-8 weeks	70.00 kg	2.940

Item code	Add on	Lead time	Weight	PRICE EX. VAT (EUR)
65151000-3	Fly high legs - White oiled oak	Stock item	1.50 kg	90
65151100-3	Fly high legs - Smoked oiled oak	Stock item	1.50 kg	90

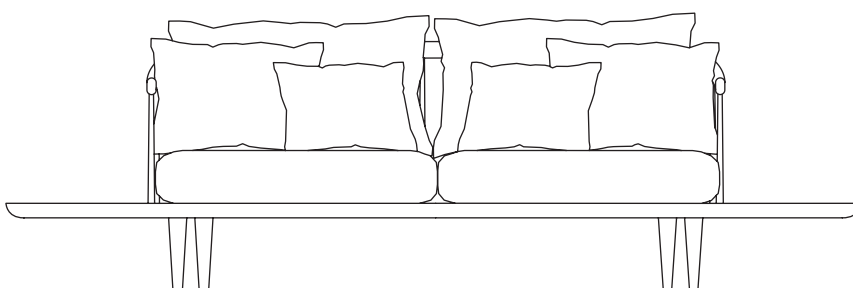
Oak White oiled oak, Smoked oiled oak

Fabric usage: 6.5 meters based on 140cm roll.

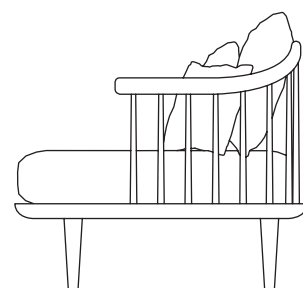
COM must be approved by &tradition to ensure suitability for upholstery.

Material: Oiled oak frame and base. CMHR foam & feather pillows.

Longer legs providing a seating height of 46cm are available upon request.



240cm / 94.5in



80cm / 31.5in



Seating depth:
54cm / 21.26in

LOUNGE AND SOFAS

FLY SC12

BY SPACE COPENHAGEN
2017



Item code	Product	Model	Colli qty.	Lead time	Weight	PRICE EX. VAT (EUR)
65193001	White oiled oak with Hot Madison 094	SC12	1 pc	Stock item	80.00 kg	3.697
65193002	Smoked oiled oak with Hot Madison 093	SC12	1 pc	Stock item	80.00 kg	3.697
65193004	Smoked oiled oak with Harald 2 182	SC12	1 pc	Stock item	80.00 kg	4.369

Item code	Upholstery	Model	Lead time	Weight	PRICE EX. VAT (EUR)
SC	Hot Madison (all colors), Remix, Canvas, Jacquard, Velvet	SC12	6-8 weeks	80.00 kg	3.921
SC	Rime, Hallingdal, Divina, Divina MD, Divina Melange, Steelcut, Steelcut Trio, Tonus, Tonus Meadow, Hero, Fiord, Maple, Pine	SC12	6-8 weeks	80.00 kg	4.369
SC	Balder, Sunniva, Vidar, Harald, Colline	SC12	6-8 weeks	80.00 kg	4.593
SC	Sonar, Pilot, Haakon, Ria, Karakorum	SC12	6-8 weeks	80.00 kg	5.938
SC	COM Fabric	SC12	6-8 weeks	80.00 kg	3.697

Item code	Add on	Lead time	Weight	PRICE EX. VAT (EUR)
65151000-3	Fly high legs - White oiled oak	Stock item	1.50 kg	90
65151100-3	Fly high legs - Smoked oiled oak	Stock item	1.50 kg	90

Frame Finish

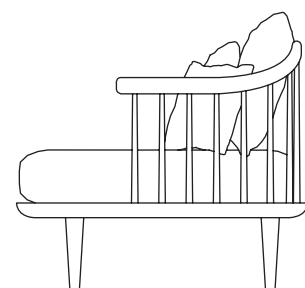
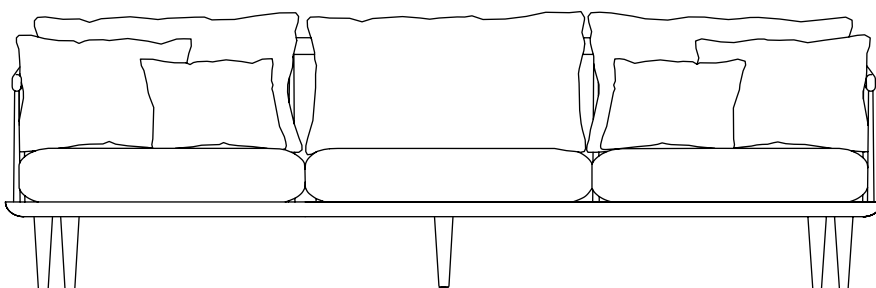
Oak White oiled oak, Smoked oiled oak

Fabric usage: 8 meters based on 140cm roll.

COM must be approved by &tradition to ensure suitability for upholstery.

Material: Oiled oak frame and base. CMHR foam and feather pillows. Fabric upholstery.

Longer legs providing a seating height of 46cm are available upon request.



68.5cm / 27in
Seating height:
40cm / 15.7in

240cm / 94.4in

80cm / 31.5in

Seating depth:
54cm / 21.26in

LOUNGE AND SOFAS

FLY SC9

BY SPACE COPENHAGEN
2014



Item code	Product	Model	Colli qty.	Lead time	Weight	PRICE EX. VAT (EUR)
65143001	White oiled oak with Hot Madison 094	SC9	1 pc	Stock item	27.00 kg	882
65143002	Smoked oiled oak with Hot Madison 093	SC9	1 pc	Stock item	27.00 kg	882
65143004	Smoked oiled oak with Harald 2 182	SC9	1 pc	Stock item	27.00 kg	1.008

Item code	Upholstery	Model	Lead time	Weight	PRICE EX. VAT (EUR)
SC	Hot Madison (all colors), Remix, Canvas, Jacquard, Velvet	SC9	6-8 weeks	27.00 kg	966
SC	Rime, Hallingdal, Divina, Divina MD, Divina Melange, Steelcut, Steelcut Trio, Tonus, Tonus Meadow, Hero, Fiord, Maple, Pine	SC9	6-8 weeks	27.00 kg	1.008
SC	Balder, Sunniva, Vidar, Harald, Colline	SC9	6-8 weeks	27.00 kg	1.176
SC	Sonar, Pilot, Haakon, Ria, Karakorum	SC9	6-8 weeks	27.00 kg	1.344
SC	COM fabric	SC9	6-8 weeks	27.00 kg	882

Item code	Add on	Lead time	Weight	PRICE EX. VAT (EUR)
65151000-3	Fly high legs - White oiled oak	Stock item	1.50 kg	90
65151100-3	Fly high legs - Smoked oiled oak	Stock item	1.50 kg	90

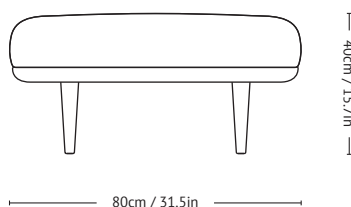
Oak White oiled oak, Smoked oiled oak

Fabric usage: 1.8 meters based on 140cm roll.

COM must be approved by &tradition to ensure suitability for upholstery.

Material: Oiled oak base. CMHR foam & feather pillow.

Longer legs providing a seating height of 46cm are available upon request.



TABLES

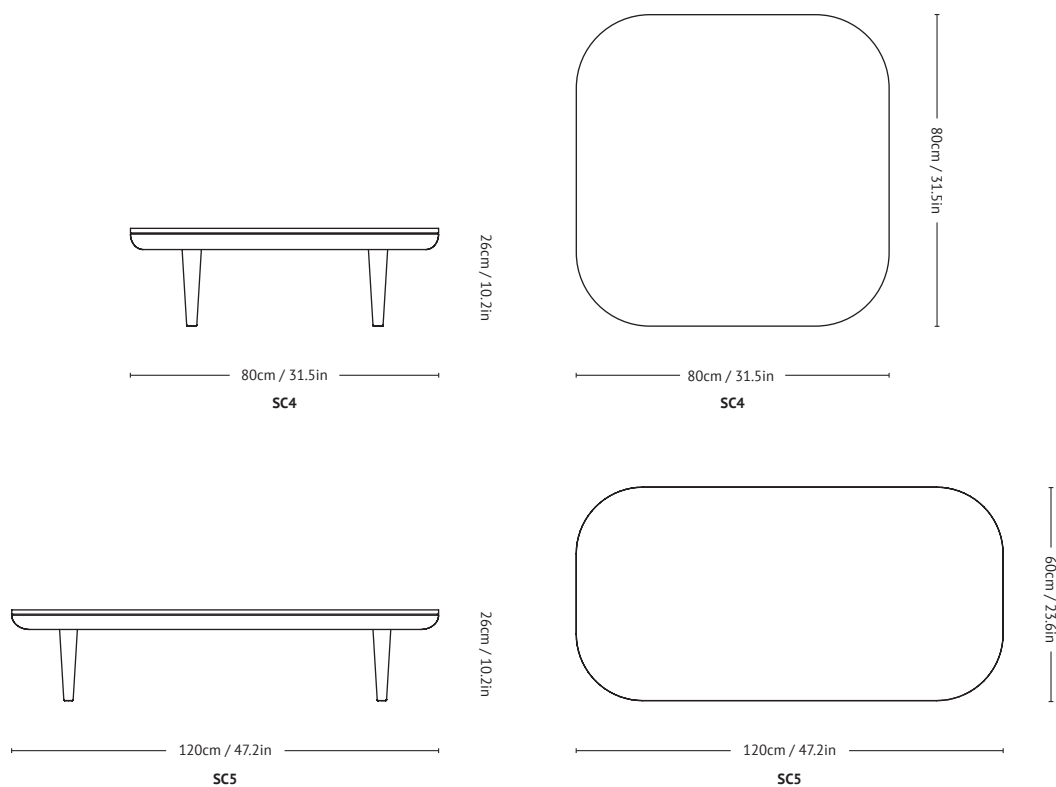
FLY SC4 & SC5

BY SPACE COPENHAGEN
2013



Item code	Product	Model	Colli qty.	Lead time	Weight	PRICE EX. VAT (EUR)
65151000	White oiled oak base with honed Bianco Carrara marble	SC4	1 pc	Stock item	37.00 kg	1.134
65151400	Smoked oiled oak base with honed Nero Marquina marble	SC4	1 pc	Stock item	37.00 kg	1.134
65151300	Smoked oiled oak base with honed Pietra di Fossena marble	SC4	1 pc	Stock item	37.00 kg	1.092
65151200	White oiled oak base with honed Pietra di Fossena marble	SC4	1 pc	Stock item	37.00 kg	1.092
65161000	White oiled oak base with honed Bianco Carrara marble	SC5	1 pc	Stock item	45.00 kg	1.260
65161400	Smoked oiled oak base with honed Nero Marquina marble	SC5	1 pc	Stock item	45.00 kg	1.260
65161300	Smoked oiled oak base with honed Pietra di Fossena marble	SC5	1 pc	Stock item	45.00 kg	1.176
65161200	White oiled oak base with honed Pietra di Fossena marble	SC5	1 pc	Stock item	45.00 kg	1.176

Item code	Add on	Lead time	Weight	PRICE EX. VAT (EUR)
65151000-3	Fly high legs - White oiled oak	Stock item	1.50 kg	90
65151100-3	Fly high legs - Smoked oiled oak	Stock item	1.50 kg	90



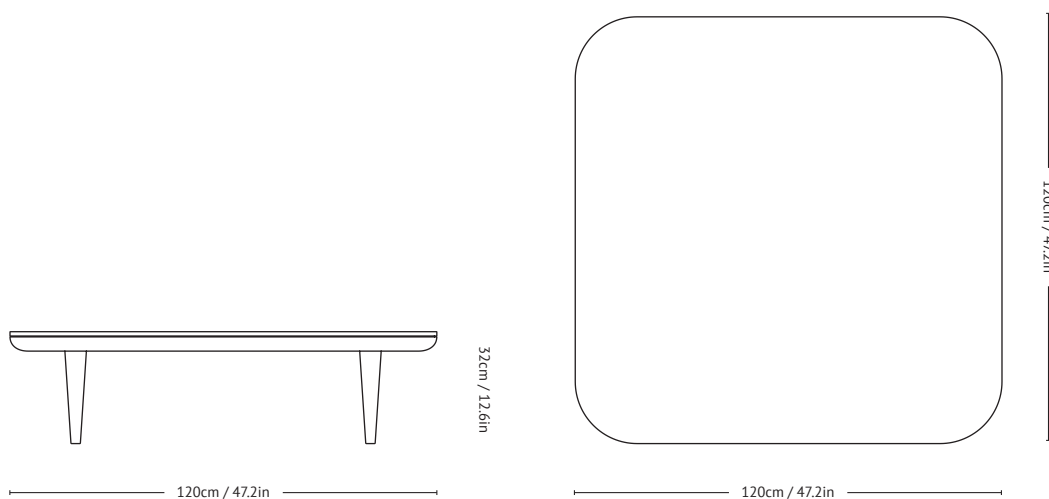
TABLES

FLY SC11

BY SPACE COPENHAGEN
2017



Item code	Product	Model	Colli qty.	Lead time	Weight	PRICE EX. VAT (EUR)
65181000	White oiled oak base with honed Bianco Carrara marble	SC11	1 pc	Stock item	102.00 kg	2.268
65181100	Smoked oiled oak base with honed Nero Marquina marble	SC11	1 pc	Stock item	102.00 kg	2.268
65181300	Smoked oiled oak base with honed Pietra di Fossena marble	SC11	1 pc	Stock item	102.00 kg	2.100
65181200	White oiled oak base with honed Pietra di Fossena marble	SC11	1 pc	Stock item	102.00 kg	2.100



TABLES

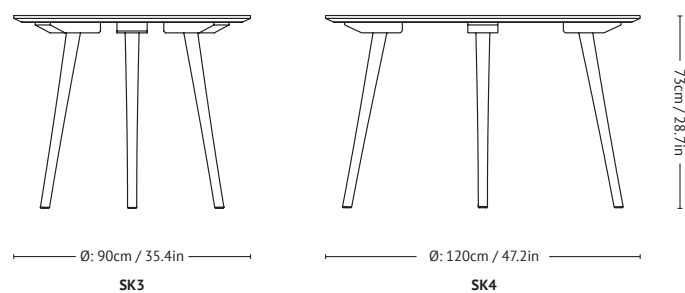
IN BETWEEN SK3 & SK4

BY SAMI KALLIO
2014



Item code	Product	Model	Colli qty.	Lead time	Weight	PRICE EX. VAT (EUR)
20981100	Smoked oiled oak Ø90cm	SK3	1 pc	Stock item	19.00 kg	703
20981192	White oiled oak Ø90cm	SK3	1 pc	Stock item	19.00 kg	703
20981194	Black lacquered oak Ø90cm	SK3	1 pc	Stock item	19.00 kg	703
20981200	Smoked oiled oak Ø120cm	SK4	1 pc	Stock item	31.00 kg	1.158
20981292	White oiled oak Ø120cm	SK4	1 pc	Stock item	31.00 kg	1.158
20981294	Black lacquered oak Ø120cm	SK4	1 pc	Stock item	31.00 kg	1.158

Material: Solid oak.
Comes with adjustable gliders installed as standard.



TABLES

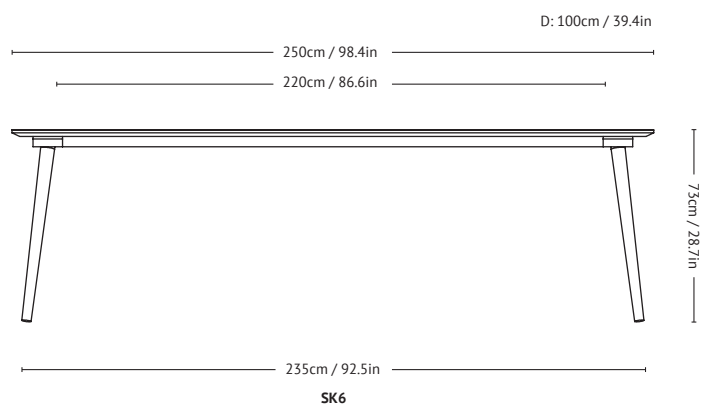
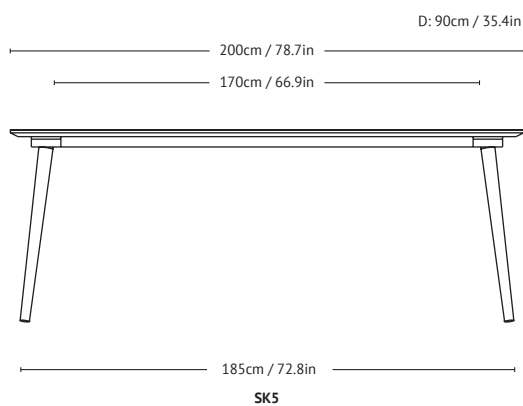
IN BETWEEN SK5 & SK6

BY SAMI KALLIO
2014



Item code	Product	Model	Colli qty.	Lead time	Weight	PRICE EX. VAT (EUR)
20981300	Smoked stained oak 90x200 cm	SK5	1 pc	Stock item	52.40 kg	1.078
20981392	Clear lacquered oak 90x200 cm	SK5	1 pc	Stock item	52.40 kg	1.078
20981394	Black lacquered oak 90x200 cm	SK5	1 pc	Stock item	52.40 kg	1.078
20981400	Smoked stained oak 100x250 cm	SK6	1 pc	Stock item	67.10 kg	1.305
20981492	Clear lacquered oak 100x250 cm	SK6	1 pc	Stock item	67.10 kg	1.305
20981494	Black lacquered oak 100x250 cm	SK6	1 pc	Stock item	67.10 kg	1.305

Material: Solid oak legs, MDF table top with oak veneer on both sides and edges.
Comes with adjustable gliders installed as standard.



TABLES

IN BETWEEN CUSTOM MADE VERSIONS

BY SAMI KALLIO
2014



Item code	Table top material	Size	Lead time	PRICE EX. VAT (DKK)
20981500	Oak veneer, Forbo Linoleum, Abet laminate	L: 90cm, W: 90cm, H: 73cm	8 weeks	794
20981600	Oak veneer, Forbo Linoleum, Abet laminate	L: 160-200cm, W: 90cm, H: 73cm	8 weeks	1.476
20981700	Oak veneer, Forbo Linoleum, Abet laminate	L: 201-250cm, W: 100cm, H: 73cm	8 weeks	1.816
20983000	Oak veneer, Forbo Linoleum, Abet laminate	Ø: 90cm, H: 73cm (3 legs)	8 weeks	738
20983100	Oak veneer, Forbo Linoleum, Abet laminate	Ø: 91-100cm, H: 73cm (3 legs)	8 weeks	965
20983200	Oak veneer, Forbo Linoleum, Abet laminate	Ø: 101-110cm, H: 73cm (4 legs)	8 weeks	1.021
20983300	Oak veneer, Forbo Linoleum, Abet laminate	Ø: 111-120cm, H: 73cm (4 legs)	8 weeks	1.135
20983400	Oak veneer, Forbo Linoleum, Abet laminate	Ø: 121-130cm, H: 73cm (4 legs)	8 weeks	1.362
20983500	Oak veneer, Forbo Linoleum, Abet laminate	Ø: 131-140cm, H: 73cm (4 legs)	8 weeks	1.589
20983600	Oak veneer, Forbo Linoleum, Abet laminate	Ø: 141-150cm, H: 73cm (4 legs)	8 weeks	1.703
20981501	Fenix NTM nano laminate	L: 90cm, W: 90cm, H: 73cm	8 weeks	908
20981601	Fenix NTM nano laminate	L: 160-200cm, W: 90cm, H: 73cm	8 weeks	1.589
20981701	Fenix NTM nano laminate	L: 201-250cm, W: 100cm, H: 73cm	8 weeks	1.930
20983001	Fenix NTM nano laminate	Ø: 90cm, H: 73cm (3 legs)	8 weeks	851
20983101	Fenix NTM nano laminate	Ø: 91-100cm, H: 73cm (3 legs)	8 weeks	1.078
20983201	Fenix NTM nano laminate	Ø: 101-110cm, H: 73cm (4 legs)	8 weeks	1.135
20983301	Fenix NTM nano laminate	Ø: 111-120cm, H: 73cm (4 legs)	8 weeks	1.249
20983401	Fenix NTM nano laminate	Ø: 121-130cm, H: 73cm (4 legs)	8 weeks	1.476
20983501	Fenix NTM nano laminate	Ø: 131-140cm, H: 73cm (4 legs)	8 weeks	1.703
20983601	Fenix NTM nano laminate	Ø: 141-150cm, H: 73cm (4 legs)	8 weeks	1.816

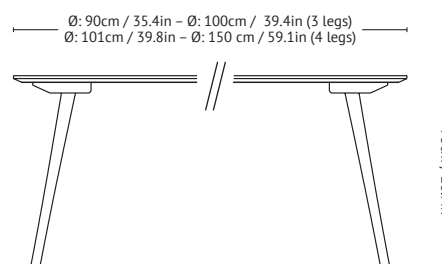
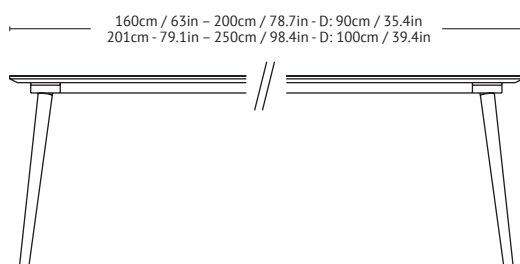
Table top materials

Oak Veneer
Forbo Linoleum
Fenix NTM nano laminate
Abet laminate

Finishes and colours

Smoked stained, clear or black lacquered
Black, grey, beige
Black, white, grey, beige
Black, white

Material: Solid oak legs, MDF table top with either oak veneer, linoleum or laminate. Edges are always in oak and matching the leg color.
Comes with adjustable gliders installed as standard.



TABLES

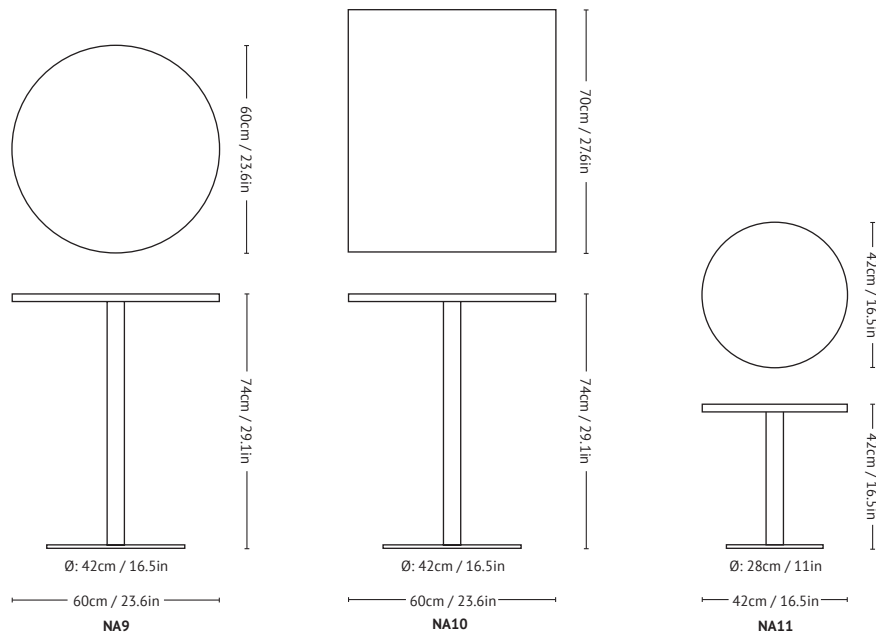
NÆRVÆR NA9, NA10 & NA11

BY NORM ARCHITECTS
2018



Item code	Product	Model	Colli qty.	Lead time	Weight	PRICE EX. VAT (EUR)
74010194	Black & Smoked oak Cafe table Ø60cm	NA9	1 pc	Stock item	21.00 kg	397
74010294	Black & Smoked oak Cafe table 60x70cm	NA10	1 pc	Stock item	21.00 kg	397
74010394	Black & Smoked oak Side table Ø42cm	NA11	1 pc	Stock item	9.00 kg	283

Material: Powder coated steel base, Nano laminate table top with veneered edges. Custom sizes available upon request.



TABLES

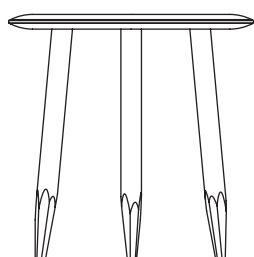
HOOF SW1 & SW2

BY SAMUEL WILKINSON
2012



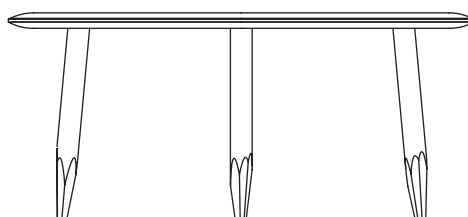
Item code	Product	Model	Colli qty.	Lead time	Weight	PRICE EX. VAT (EUR)
72015000	Solid white oiled oak Ø50cm	SW1	1 pc	Stock item	4.70 kg	306
72015010	Solid smoked oiled oak Ø50cm	SW1	1 pc	Stock item	4.70 kg	306
72015094	Solid black lacquered oak Ø50cm	SW1	1 pc	Stock item	4.70 kg	306
72019000	Solid white oiled oak Ø90cm	SW2	1 pc	Stock item	8.40 kg	454
72019010	Solid smoked oiled oak Ø90cm	SW2	1 pc	Stock item	8.40 kg	454
72019094	Solid black lacquered oak Ø90cm	SW2	1 pc	Stock item	8.40 kg	454

Material: Solid oak



Ø: 50cm / 19.7in

SW1



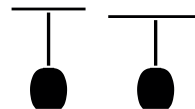
Ø: 90cm / 35.4in

SW2

TABLES

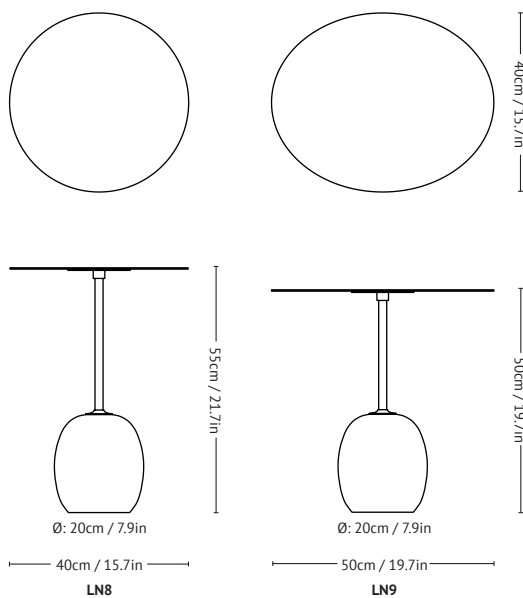
LATO LN8 & LN9

BY LUCA NICHETTO
2018



Item code	Product	Model	Colli qty.	Lead time	Weight	PRICE EX. VAT (EUR)
86202001	Warm black & Emparador marble Ø40cm	LN8	1 pc	Stock item	19.50 kg	397
86202005	Ivory white & Crema Diva marble Ø40cm	LN8	1 pc	Stock item	19.50 kg	397
86202010	Warm black & Emparador marble 40x50cm	LN9	1 pc	Stock item	20.10 kg	397
86202015	Ivory white & Crema Diva marble 40x50cm	LN9	1 pc	Stock item	20.10 kg	397

Material: Marble and powder coated steel



TABLES

PALETTE JH6, JH7 & JH8

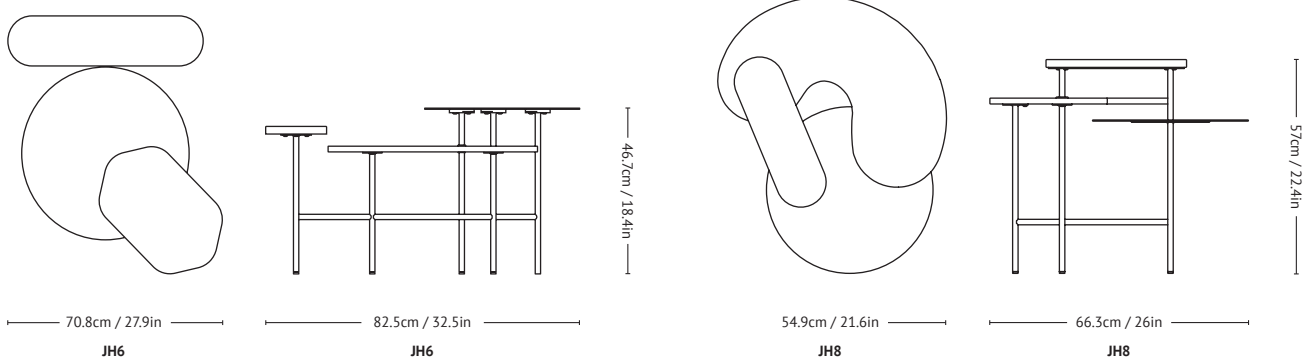
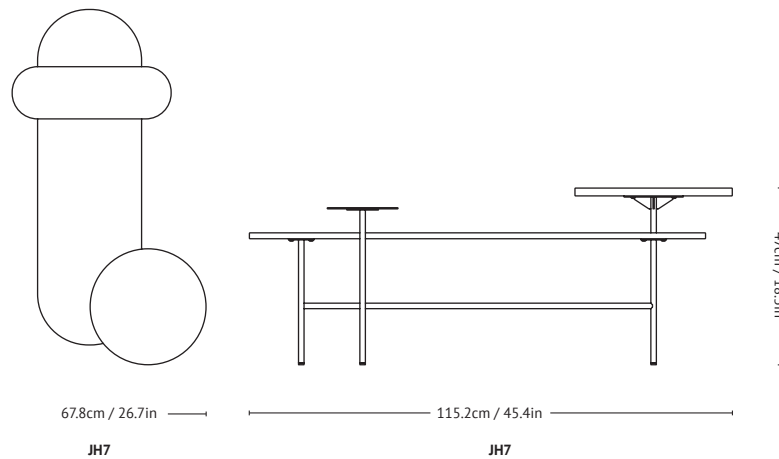
BY JAIME HAYON
2015



Item code	Product	Model	Colli qty.	Lead time	Weight	PRICE EX. VAT (EUR)
83341130	Stainless steel, Bianco Carrara marble, Pale pink stained ash	JH6	1 pc	Stock item	16.00 kg	1.021
83341294	Brass, black Nero Marquina marble, black stained ash	JH7	1 pc	Stock item	19.00 kg	1.135
83341342	Brass, red Rosso Levanto marble, blue stained ash	JH8	1 pc	Stock item	12.00 kg	1.021

Base	Colour
Steel	Black powder coated

Table top	Colour
Wood	Stained ash veneer.
Metal	Satin polished brass, stainless steel.
Marble	Polished Nero Marquina, Polished Rosso Levanto, Honed Bianco Carrara.



TABLES

PALETTE JH9

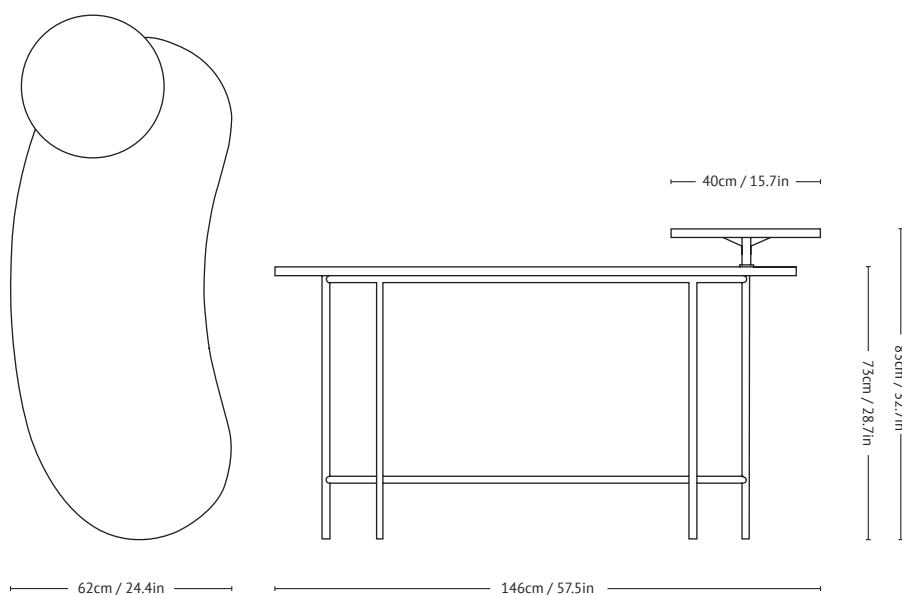
BY JAIME HAYON
2015



Item code	Product	Model	Colli qty.	Lead time	Weight	PRICE EX. VAT (EUR)
83351149	Grey green stained ash veneer & Brass	JH9	1 pc	Stock item	22.00 kg	1.703
83351194	Black stained ash veneer & Nero Marquina marble	JH9	1 pc	Stock item	22.00 kg	1.703

Base	Colour
Steel	Black powder coated

Table top	Colour
Wood	Stained ash veneer.
Metal	Satin polished brass.
Marble	Polished Nero Marquina



TABLES

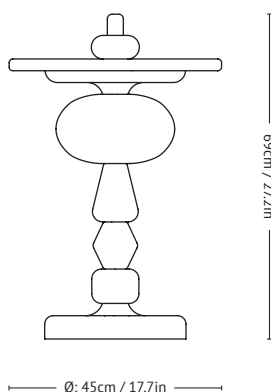
SHUFFLE MH1

BY MIA HAMBORG
2010



Item code	Product	Model	Colli qty.	Lead time	Weight	PRICE EX. VAT (EUR)
701031	Spectrum color lacquered MDF w. smoked oiled oak	MH1	1 pc	Stock item	11.00 kg	397
701094	Black lacquered MDF w. Nero Marquina marble	MH1	1 pc	Stock item	28.00 kg	931

Materials: Lacquered MDF and Marble.



ACCESSORIES

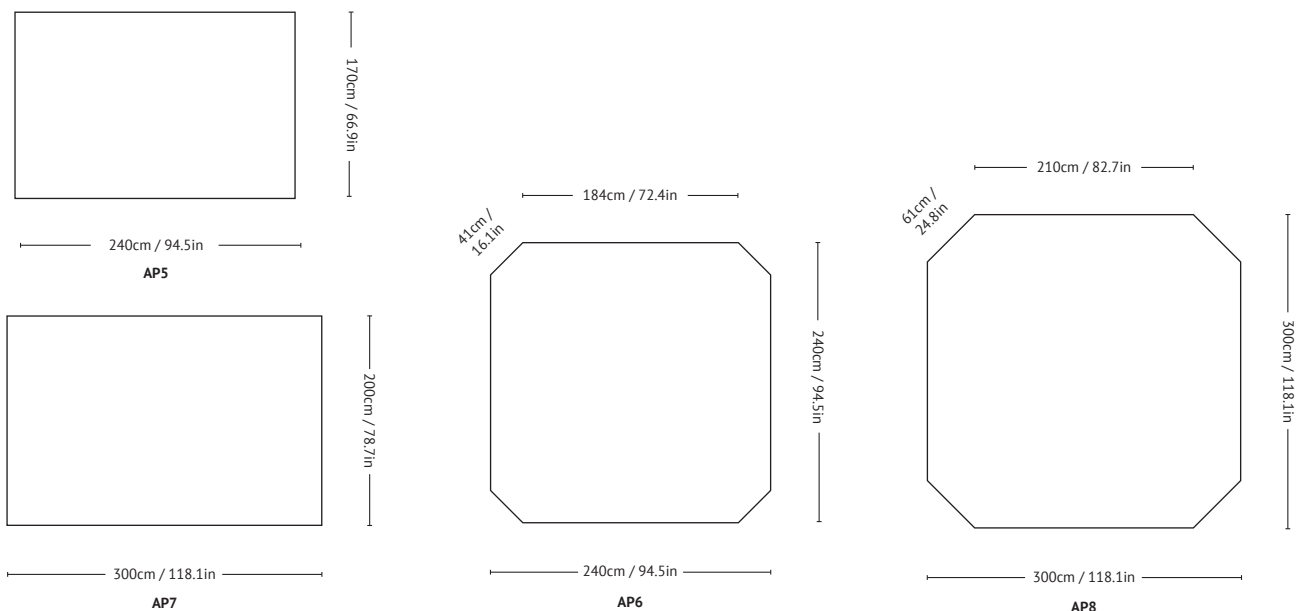
THE MOOR AP5, AP6, AP7 & AP8

BY ALL THE WAY TO PARIS
2016



Item code	Product	Model	Colli qty.	Lead time	Weight	PRICE EX. VAT (EUR)
20991148	Grey moss 170 x 240cm	AP5	1 pc	Stock item	25.00 kg	1.135
20991191	Beige dew 170 x 240cm	AP5	1 pc	Stock item	25.00 kg	1.135
20991192	Yellow field 170 x 240cm	AP5	1 pc	Stock item	25.00 kg	1.135
20991242	Red Heather 240 x 240cm	AP6	1 pc	Stock item	30.00 kg	1.476
20991291	Beige dew 240 x 240cm	AP6	1 pc	Stock item	30.00 kg	1.476
20991292	Yellow field 240 x 240cm	AP6	1 pc	Stock item	30.00 kg	1.476
20991348	Grey moss 200 x 300cm	AP7	1 pc	Stock item	30.00 kg	1.703
20991391	Beige dew 200 x 300cm	AP7	1 pc	Stock item	30.00 kg	1.703
20991548	Grey moss 300 x 300cm	AP8	1 pc	Stock item	35.00 kg	2.271
20991593	Blue Midnight 300 x 300cm	AP8	1 pc	Stock item	35.00 kg	2.271
20991594	Red Heather 300 x 300cm	AP8	1 pc	Stock item	35.00 kg	2.271
20971000	Rug underlay 165 x 240cm		1 pc	Stock item	2.20 kg	56
20971001	Rug underlay 190 x 290cm		1 pc	Stock item	3.34 kg	68

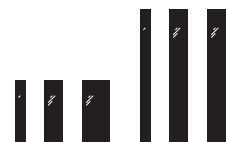
Material: Handloom-woven from 85% New Zealand wool & 15% viscose.



ACCESSORIES

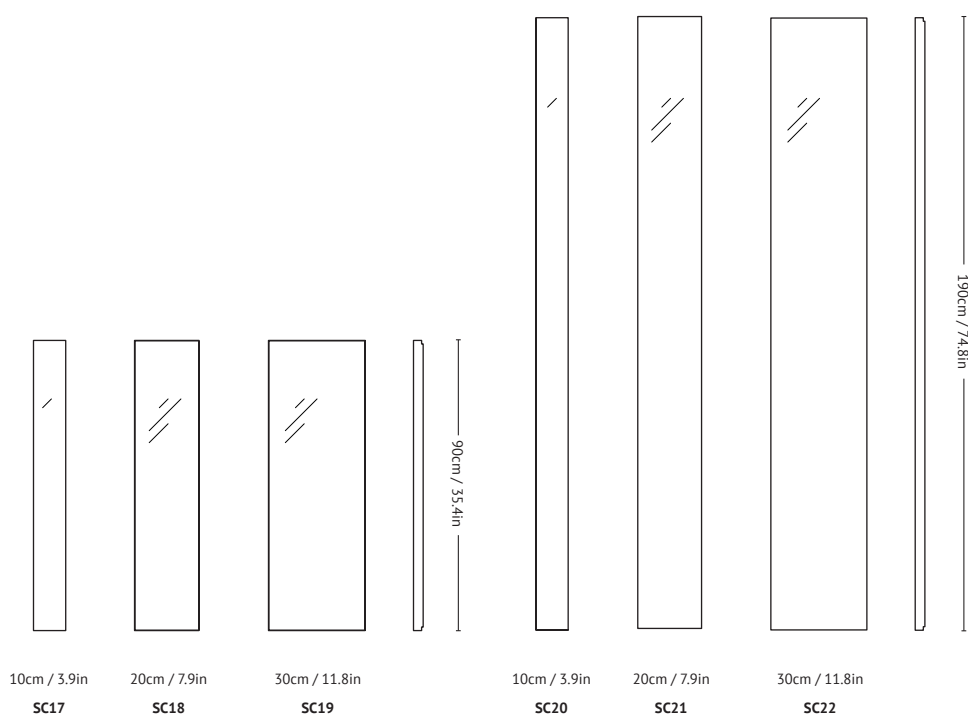
AMORE SC17 – SC22

BY SPACE COPENHAGEN
2018



Item code	Product	Model	Colli qty.	Lead time	Weight	PRICE EX. VAT (EUR)
86101000	Amore mirror - 90x10cm	SC17	1 pc	Stock item	4.60 kg	522
86101005	Amore mirror - 90x20cm	SC18	1 pc	Stock item	7.40 kg	545
86101010	Amore mirror - 90x30cm	SC19	1 pc	Stock item	9.50 kg	567
86101015	Amore mirror - 190x10cm	SC20	1 pc	Stock item	9.70 kg	738
86101020	Amore mirror - 190x20cm	SC21	1 pc	Stock item	15.50 kg	794
86101025	Amore mirror - 190x30cm	SC22	1 pc	Stock item	21.40 kg	851

Material: Bronzed brass frame, silver colored mirror, adjustable wall bracket



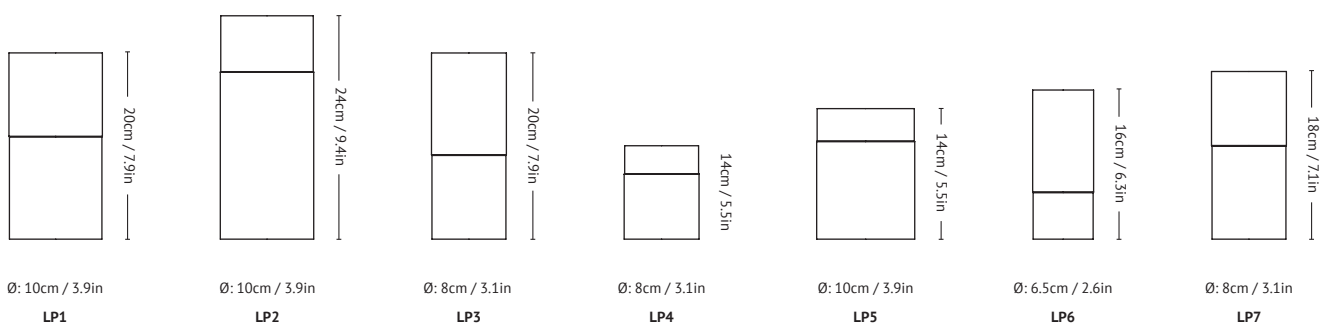
ACCESSORIES

TRUE COLOUR LP1 - LP7

BY LEX POTT
2013



Item code	Product	Model	Materials	Colour	Colli qty.	Lead time	Weight	PRICE EX. VAT (EUR)
21101130	True Colour vase	LP1	Aluminium	White	2 pc	Stock item	0.44 kg	79
21101142	True Colour vase	LP2	Brass	Terracotta	2 pc	Stock item	1.26 kg	170
21101149	True Colour vase	LP3	Copper	Green	2 pc	Stock item	0.85 kg	147
21101161	True Colour vase	LP4	Steel	Brown	2 pc	Stock item	0.40 kg	56
21101193	True Colour vase	LP5	Brass	Blue	2 pc	Stock item	0.83 kg	147
21101194	True Colour vase	LP6	Brass	Black	2 pc	Stock item	0.55 kg	90
21101261	True Colour vase	LP7	Steel	Brown	2 pc	Stock item	0.66 kg	68



ACCESSORIES

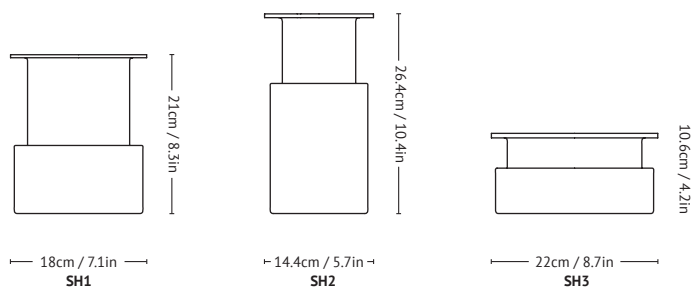
TRICOLORE SH1, SH2 & SH3

BY SEBASTIAN HERKNER
2017



Item code	Product	Model	Colour	Colli qty.	Lead time	Weight	PRICE EX. VAT (EUR)
23101140	Tricolore	SH1	Malachite & Cornaline	1 pc	Stock item	3.10 kg	340
23101150	Tricolore	SH2	Amber & Lapis	1 pc	Stock item	3.30 kg	340
23101160	Tricolore	SH3	Topaz & Rubis	1 pc	Stock item	3.30 kg	340

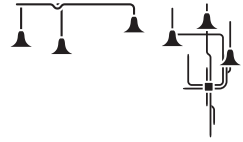
Material: Mouth-blown colored bohemian glass.



LIGHTING

LIGHT FOREST OD1 & OD2

BY ONTWERPDUO
2010



Item code	Product	Model	Colour	Colli qty.	Lead time	Weight	PRICE EX. VAT (EUR)
21251130	Light Forest Ceiling	OD1	Forest green	1 pc	Stock item	3.00 kg	908
21251230	Light Forest Wall	OD2	Forest green	1 pc	Stock item	3.00 kg	1.021

Technical Specifications

OD1: E27 Max 40 Watt

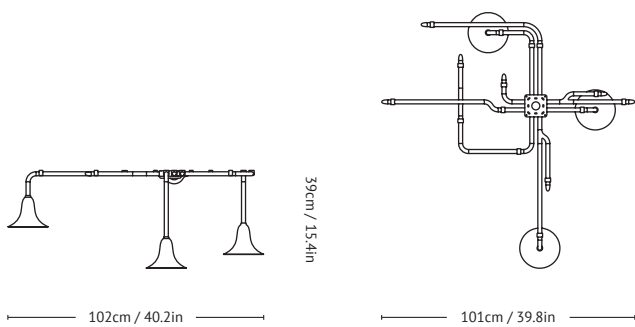
OD2: E27 Max 40 Watt

Material: Copper, aluminium and ABS.

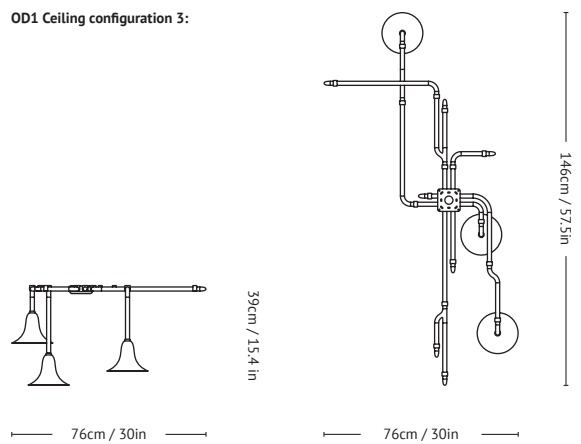
Other colors available upon request

The luminaire is compatible with bulbs of the energy classes: A++ - E. Bulb is not included.

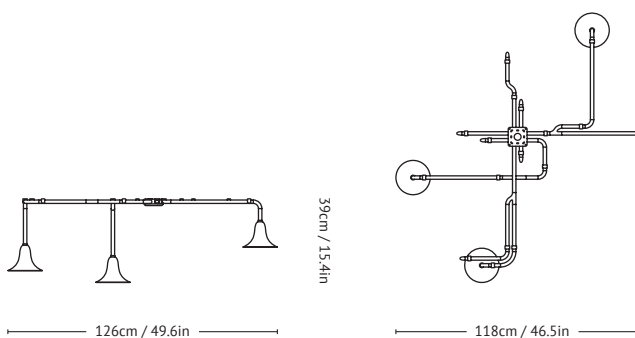
OD1 Ceiling configuration 1:



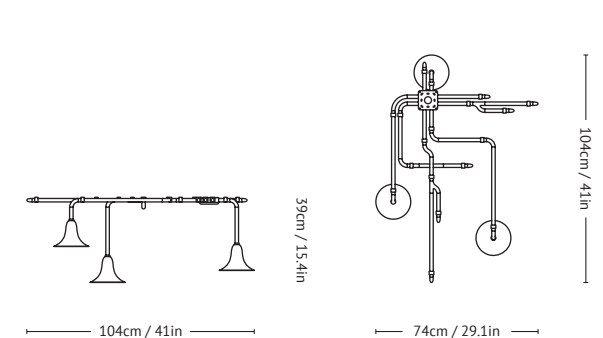
OD1 Ceiling configuration 3:



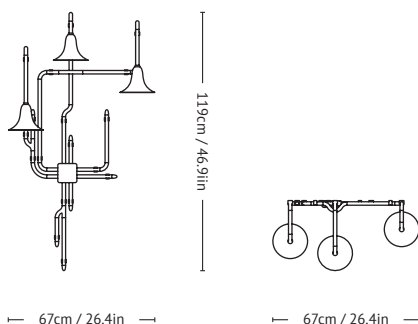
OD1 Ceiling configuration 2:



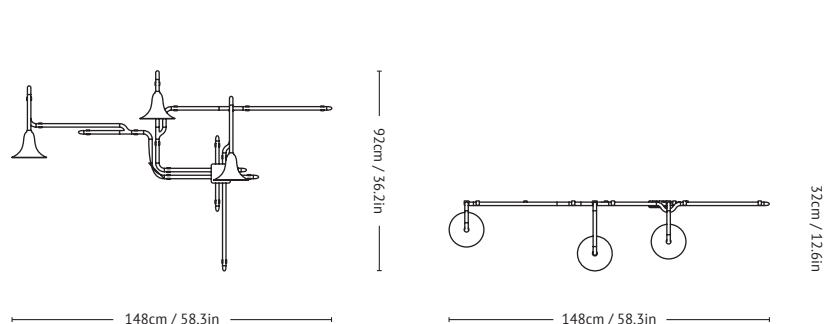
OD1 Ceiling configuration 4:



OD2 Wall configuration 1:



OD2 Wall configuration 2:



LIGHTING

FORNELL ABF1

BY ANDREAS BOZARTH FORNELL
2017



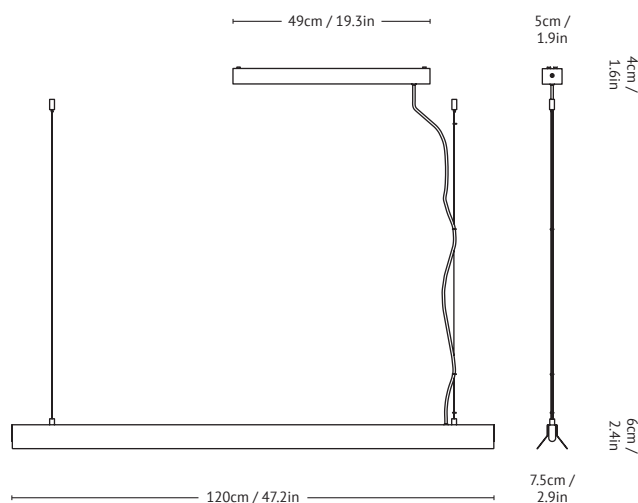
Item code	Product	Model	Colour	Cord	Colli qty.	Lead time	Weight	PRICE EX. VAT (EUR)
23000001	Fornell	ABF1	Matt white	6 m.	1 pc	Stock item	6.00 kg	476
23000002	Fornell	ABF1	Matt black	6 m.	1 pc	Stock item	6.00 kg	476
23000000	Dali driver for ABF1				1 pc	Stock item	3.50 kg	56

Technical Specifications

28 Watt LED
 Light output: 1500 lumen
 Lument/watt: 51 lumen
 CRI: >90 (True Color Rendering)
 Color temperature (Kelvin): 3000K
 1-10V dimmable driver included
 Dali driver available separately

Material: Mirror polished & matt lacquered stainless steel, PC diffuser & stainless steel wires.

The luminaire is compatible with bulbs of the energy classes: A++ - A. The built-in LEDs cannot be changed in this luminaire. Canopy is included.



LIGHTING

MARBLE LIGHT SV2 – SV7

BY STUDIO VIT
2014



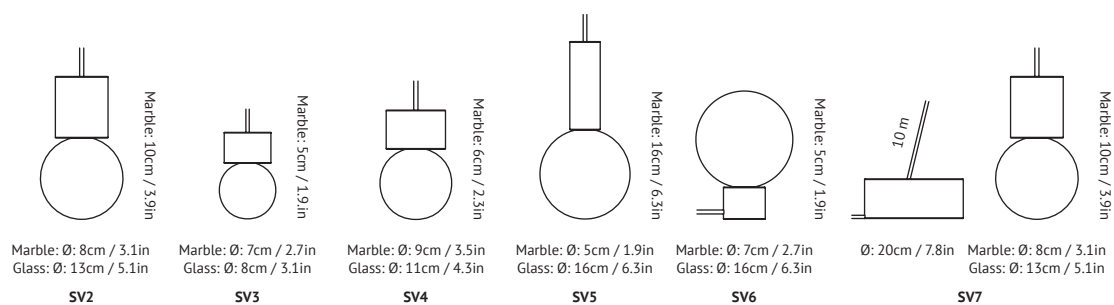
Item code	Product	Model	Cord	Colli qty.	Lead time	Weight	PRICE EX. VAT (EUR)
20961230	Marble Light Pendant	SV2	4m textile	2 pc	Stock item	2.00 kg	170
20961330	Marble Light Pendant	SV3	4m textile	2 pc	Stock item	1.00 kg	147
20961430	Marble Light Pendant	SV4	4m textile	2 pc	Stock item	1.60 kg	158
20961530	Marble Light Pendant	SV5	4m textile	2 pc	Stock item	1.65 kg	181
20961630	Marble Light Table Lamp	SV6	2m textile	2 pc	Stock item	1.20 kg	170
20962530	Marble Light Floor Weight & SV2 Pendant	SV7	10m textile	1 pc	Stock item	9.00 kg	340

Technical Specifications

G9 max 25 Watt

Material: White bianco carrara marble, clear mouth blown borosilicate glass, white textile cord.

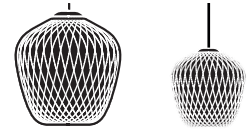
The luminaire is compatible with bulbs of the energy classes: A++ - E. Bulb is not included. Canopy is included.



LIGHTING

BLOWN SW3 & SW4

BY SAMUEL WILKINSON
2014 + 2018



Item code	Product	Model	Colour	Cord	Colli qty.	Lead time	Weight	PRICE EX. VAT (EUR)
20630594	Blown	SW3	Silver Lustre	4m black textile	2 pc	Stock item	4.10 kg	295
20631001	Blown	SW3	Opal	4m white textile	2 pc	Stock item	4.10 kg	295
20641094	Blown	SW4	Silver Lustre	4m black textile	2 pc	Stock item	2.30 kg	227
20641001	Blown	SW4	Opal	4m white textile	2 pc	Stock item	2.30 kg	227

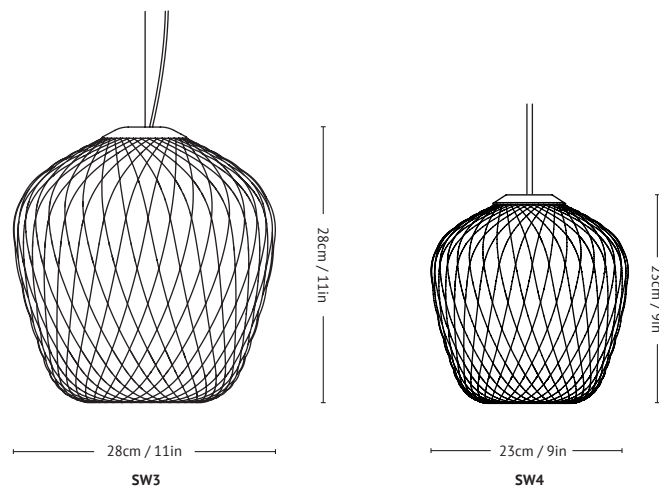
Technical Specifications

SW3: E27 Max 100 Watt

SW4: E14 Max 40 Watt

Material: Mouth blown glass and powder coated metal.

The luminaire is compatible with bulbs of the energy classes: A++ - E. Bulb is not included. Canopy is included.



PASSEPARTOUT JH10, JH11 & JH12

BY JAIME HAYON
2016



Item code	Product	Model	Colour	Colli qty.	Lead time	Weight	PRICE EX. VAT (EUR)
83401130	Passepartout Ceiling and Wall	JH10	Matt white	1 pc	Stock item	0.65 kg	261
83401190	Passepartout Ceiling and Wall	JH10	Gold	1 pc	Stock item	0.65 kg	272
83401190	Passepartout Ceiling and Wall	JH11	Matt white	1 pc	Stock item	0.75 kg	261
83401290	Passepartout Ceiling and Wall	JH11	Gold	1 pc	Stock item	0.75 kg	272
83401230	Passepartout Ceiling and Wall	JH12	Matt white	1 pc	Stock item	0.95 kg	261
83401390	Passepartout Ceiling and Wall	JH12	Gold	1 pc	Stock item	0.95 kg	272

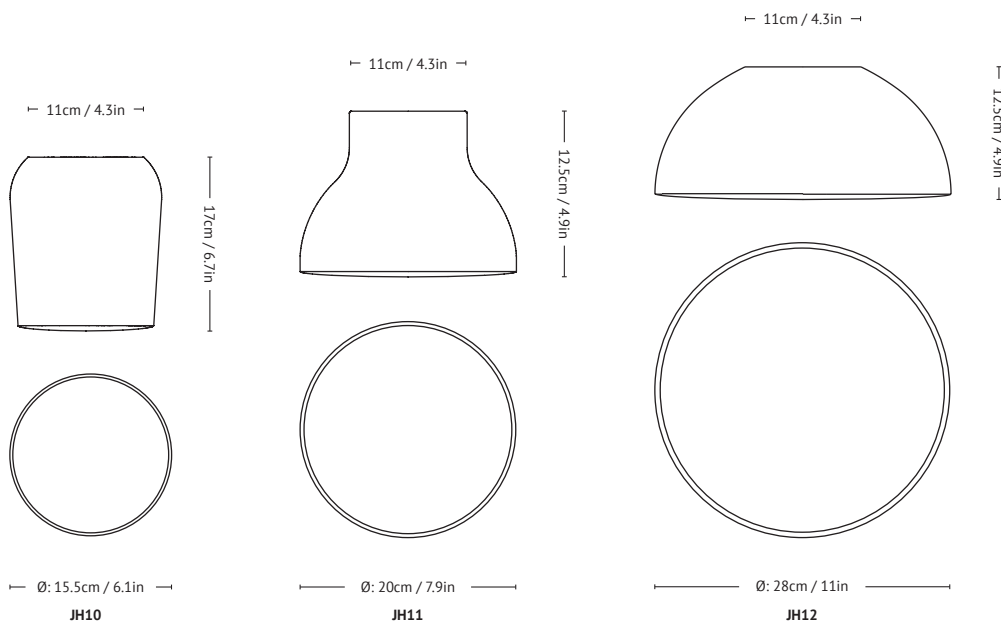
Technical Specifications

11,5 Watt LED
CRI: >90 (True Color Rendering)
Color temperature (Kelvin): 2700K
Trailing edge dimmable driver included

Light output:
JH10 - 350 Lumen
JH11 - 520 Lumen
JH12 - 600 Lumen

Material: Aluminium, polycarbonate, ABS.

The luminaire is compatible with bulbs of the energy classes: A++ - A. The built-in LEDs cannot be changed in this luminaire.



LIGHTING

MILK NA1

BY NORM ARCHITECTS
2010



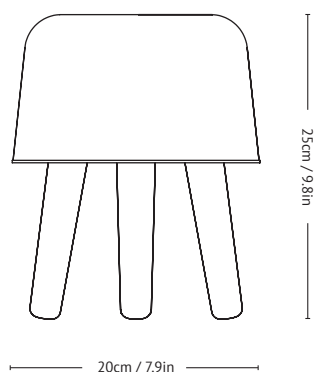
Item code	Product	Model	Legs	Cord	Colli qty.	Lead time	Weight	PRICE EX. VAT (EUR)
20403030	Milk Table lamp	NA1	Natural ash	2m white textile w. dimmer	2 pc	Stock item	0.95 kg	135
20403094	Milk Table lamp	NA1	Natural ash	2m black textile w. dimmer	2 pc	Stock item	0.95 kg	135
20403194	Milk Table lamp	NA1	Black stained ash	2m black textile w. dimmer	2 pc	Stock item	0.95 kg	135
20403294	Milk Table lamp	NA1	Smoked oiled ash	2m black textile w. dimmer	2 pc	Stock item	0.95 kg	135

Technical Specifications

G9 Max 40 Watt

Material: White opal glass, solid ash legs.

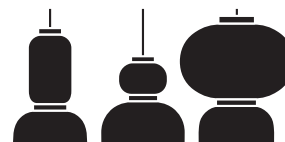
The luminaire is compatible with bulbs of the energy classes: A++ - E. Bulb is not included.



LIGHTING

FORMAKAMI JH3, JH4 & JH5

BY JAIME HAYON
2015



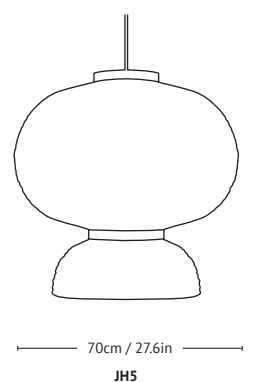
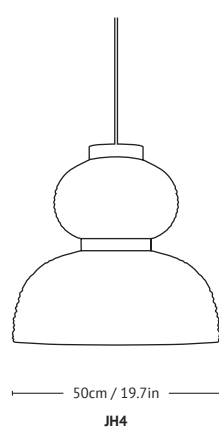
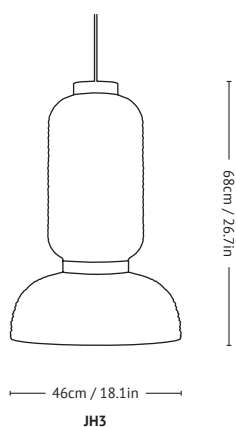
Item code	Product	Model	Colour	Cord	Colli qty.	Lead time	Weight	PRICE EX. VAT (EUR)
83301130	Formakami	JH3	Ivory white	4m black textile	2 pc	Stock item	0.80 kg	158
83301230	Formakami	JH4	Ivory white	4m black textile	2 pc	Stock item	0.70 kg	147
83301330	Formakami	JH5	Ivory white	4m black textile	2 pc	Stock item	1.50 kg	181

Technical Specifications

E27 Max 2 x 60 Watt

Material: Ivory white paper, black stained oak.

The luminaire is compatible with bulbs of the energy classes: A++ - E. Bulb is not included. Canopy included.



WORKING TITLE HK1

BY HARRI KOSKINEN
2017



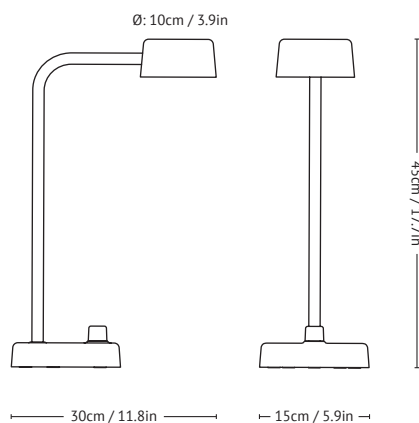
Item code	Product	Model	Colour	Cord	Colli qty.	Lead time	Weight	PRICE EX. VAT (EUR)
20421099	Working Title Desk Lamp	HK1	Hand polished aluminium	2m black pvc	2 pc	Stock item	1.70 kg	249

Technical Specifications

8 Watt LED
 CRI: >90 (True Color Rendering)
 Color temperature (Kelvin): 3000K
 Light output: 675 lumen
 Lumen/watt: 76 lumen
 Dimmer on base

Material: Die-cast and extruded aluminium, polycarbonate non-glare diffuser.

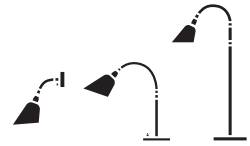
The luminaire is compatible with bulbs of the energy classes: A++ - A. The built-in LEDs cannot be changed in this luminaire.



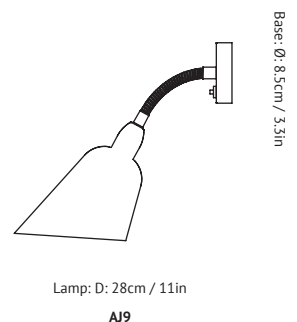
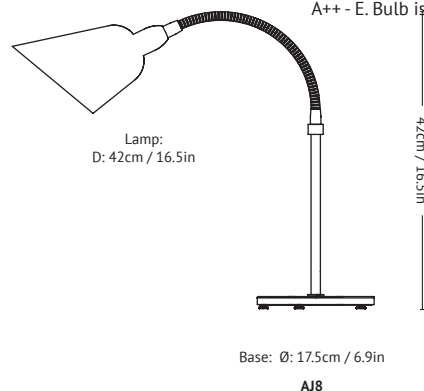
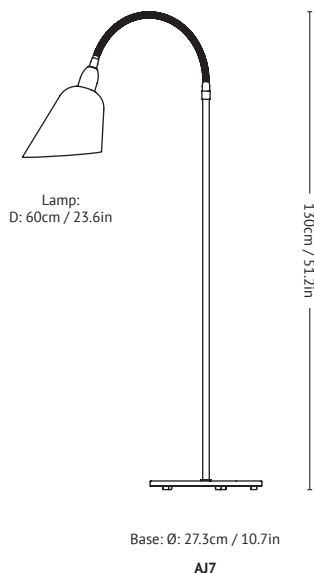
LIGHTING

BELLEVUE AJ7, AJ8 & AJ9

BY ARNE JACOBSEN
1929



Item code	Product	Model	Colour	Cord	Colli qty.	Lead time	Weight	PRICE EX. VAT (EUR)
20811131	Bellevue Floor Lamp	AJ7	Ivory white	2m ivory white textile, w. switch	1 pc	Stock item	7.70 kg	567
20811191	Bellevue Floor Lamp	AJ7	Grey beige	2m black textile, w. switch	1 pc	Stock item	7.70 kg	567
20811194	Bellevue Floor Lamp	AJ7	Black	2m black textile, w. switch	1 pc	Stock item	7.70 kg	567
20811196	Bellevue Floor Lamp	AJ7	Satin polished brass	2m black textile, w. switch	1 pc	Stock item	7.70 kg	794
20811231	Bellevue Table Lamp	AJ8	Ivory white	2m ivory white textile	1 pc	Stock item	4.60 kg	397
20811291	Bellevue Table Lamp	AJ8	Grey beige	2m black textile	1 pc	Stock item	4.60 kg	397
20811294	Bellevue Table Lamp	AJ8	Black	2m black textile	1 pc	Stock item	4.60 kg	397
20811296	Bellevue Table Lamp	AJ8	Satin polished brass	2m black textile	1 pc	Stock item	4.60 kg	510
20811331	Bellevue Wall Lamp	AJ9	Ivory white	2m ivory white textile	1 pc	Stock item	1.40 kg	261
20811391	Bellevue Wall Lamp	AJ9	Grey beige	2m black textile	1 pc	Stock item	1.40 kg	261
20811394	Bellevue Wall Lamp	AJ9	Black	2m black textile	1 pc	Stock item	1.40 kg	261
20811396	Bellevue Wall Lamp	AJ9	Satin polished brass	2m black textile	1 pc	Stock item	1.40 kg	397



Technical Specifications

AJ7: E27 max 60 Watt / 12 Watt CFL
AJ8: E14 max 40 Watt / 7 Watt CFL
AJ9: E14 max 40 Watt / 7 Watt CFL

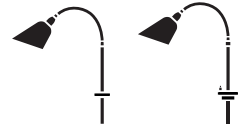
Material: Lacquered steel & brass.
Other colors available upon request.

The luminaire is compatible with bulbs of the energy classes: A++ - E. Bulb is not included.

LIGHTING

BELLEVUE AJ10 & AJ11

BY ARNE JACOBSEN
1929

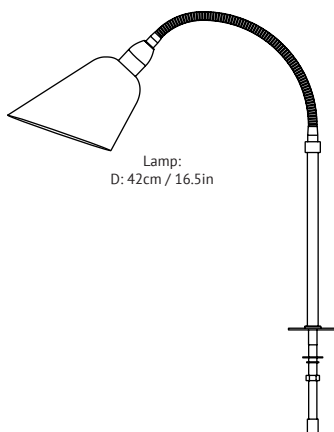


Item code	Product	Model	Colour	Cord	Colli qty.	Lead time	Weight	PRICE EX. VAT (EUR)
20811494	Bellevue Plug in Table Lamp	AJ10	Black	2m black pvc	1 pc	Stock item	1.00 kg	317
20811496	Bellevue Plug in Table Lamp	AJ10	Satin polished brass	2m black pvc	1 pc	Stock item	1.00 kg	454
20811594	Bellevue Plug in Table Lamp w. switch	AJ11	Black	2m black pvc	1 pc	Stock item	1.10 kg	340
20811596	Bellevue Plug in Table Lamp w. switch	AJ11	Satin polished brass	2m black pvc	1 pc	Stock item	1.10 kg	476

Technical specifications

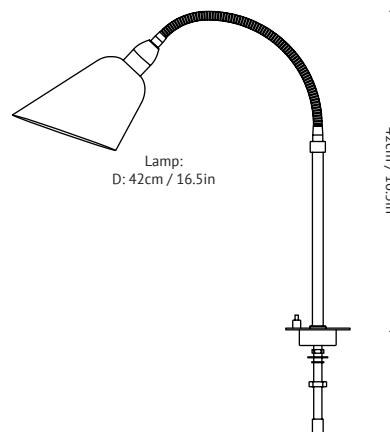
E14 max 40 Watt

Material: Lacquered steel & brass. The luminaire is compatible with bulbs of the energy classes: A++ - E. Bulb is not included. Other colors available upon request.



Base: Ø: 7cm / 2.83in

AJ10



Base: Ø: 9.5cm / 3.8in

AJ11

LIGHTING

TOPAN VP6

BY VERNER PANTON
1959



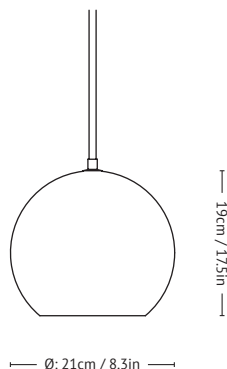
Item code	Product	Model	Colour	Cord	Colli qty.	Lead time	Weight	PRICE EX. VAT (EUR)
207830	Topan Pendant	VP6	White	3m white textile	2 pc	Stock item	0.65 kg	170
207844	Topan Pendant	VP6	Deep red	3m deep red textile	2 pc	Stock item	0.65 kg	170
207850	Topan Pendant	VP6	Dark green	3m dark green textile	2 pc	Stock item	0.65 kg	170
207856	Topan Pendant	VP6	Black blue	3m black blue textile	2 pc	Stock item	0.65 kg	170
207889	Topan Pendant	VP6	Grey beige	3m grey beige textile	2 pc	Stock item	0.65 kg	170

Technical Specifications

E27 Max 40 Watt

Material: Lacquered aluminium.
Other colors available upon request

The luminaire is compatible with bulbs of the energy classes:
A++ - E. Bulb is not included. Canopy included.



LIGHTING

FLOWERPOT VP1

BY VERNER PANTON
1968



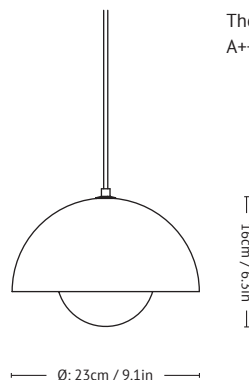
Item code	Product	Model	Colour	Cord	Colli qty.	Lead time	Weight	PRICE EX. VAT (EUR)
20703101	Flowerpot Pendant	VP1	Matt white	3m white textile	2 pc	Stock item	0.95 kg	181
20709102	Flowerpot Pendant	VP1	Matt light grey	3m grey textile	2 pc	Stock item	0.95 kg	181
20709501	Flowerpot Pendant	VP1	Matt black	3m black textile	2 pc	Stock item	0.95 kg	181
20702201	Flowerpot Pendant	VP1	Mustard	3m mustard textile	2 pc	Stock item	0.95 kg	181
20703001	Flowerpot Pendant	VP1	White	3m white textile	2 pc	Stock item	0.95 kg	181
20704301	Flowerpot Pendant	VP1	Beige red	3m beige red textile	2 pc	Stock item	0.95 kg	181
20704401	Flowerpot Pendant	VP1	Deep red	3m deep red textile	2 pc	Stock item	0.95 kg	181
20705001	Flowerpot Pendant	VP1	Dark green	3m dark green textile	2 pc	Stock item	0.95 kg	181
20705601	Flowerpot Pendant	VP1	Black blue	3m black blue textile	2 pc	Stock item	0.95 kg	181
20708901	Flowerpot Pendant	VP1	Grey beige	3m grey beige textile	2 pc	Stock item	0.95 kg	181
20709601	Flowerpot Pendant	VP1	Polished brass	3m black textile	2 pc	Stock item	0.95 kg	227
20709701	Flowerpot Pendant	VP1	Polished copper	3m black textile	2 pc	Stock item	0.95 kg	227
20709901	Flowerpot Pendant	Polished stainless steel		3m black textile	2 pc	Stock item	0.95 kg	227

Technical Specifications

E27 max 40 Watt / 7 Watt CFL

Material: Lacquered steel, brass, copper, stainless steel.
Other colors available upon request.

The luminaire is compatible with bulbs of the energy classes: A++ - E. Bulb is not included. Canopy included.



LIGHTING

FLOWERPOT VP2

BY VERNER PANTON
1968



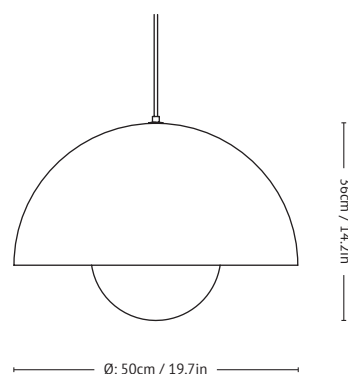
Item code	Product	Model	Colour	Cord	Colli qty.	Lead time	Weight	PRICE EX. VAT (EUR)
207630	Flowerpot Pendant	VP2	White	3m white textile	1 pc	Stock item	3.40 kg	499

Technical Specifications

E27 max 60 Watt / 12 Watt CFL

Material: Lacquered aluminium.
Other colors available upon request

The luminaire is compatible with bulbs of the energy classes: A++ - E. Bulb is not included. Canopy included.



LIGHTING

FLOWERPOT VP3

BY VERNER PANTON
1969



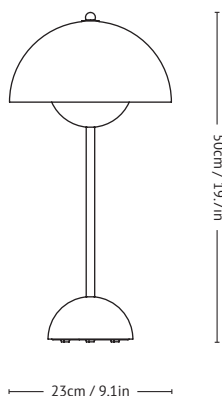
Item code	Product	Model	Colour	Cord	Colli qty.	Lead time	Weight	PRICE EX. VAT (EUR)
20723001	Flowerpot Table lamp	VP3	White	2m clear pvc	1 pc	Stock item	4.50 kg	240
20724301	Flowerpot Table lamp	VP3	Beige red	2m clear pvc	1 pc	Stock item	4.50 kg	240
20724401	Flowerpot Table lamp	VP3	Deep red	2m clear pvc	1 pc	Stock item	4.50 kg	240
20725001	Flowerpot Table lamp	VP3	Dark green	2m clear pvc	1 pc	Stock item	4.50 kg	240
20725601	Flowerpot Table lamp	VP3	Black blue	2m clear pvc	1 pc	Stock item	4.50 kg	240
20728901	Flowerpot Table lamp	VP3	Grey beige	2m clear pvc	1 pc	Stock item	4.50 kg	240
20729101	Flowerpot Table lamp	VP3	Matt light grey	2m clear pvc	1 pc	Stock item	4.50 kg	240
20729501	Flowerpot Table lamp	VP3	Matt black	2m clear pvc	1 pc	Stock item	4.50 kg	240
20739501	Flowerpot Table lamp	VP3	Polished brass	2m clear pvc	1 pc	Stock item	4.50 kg	340
20729601	Flowerpot Table lamp	VP3	Polished stainless steel	2m clear pvc	1 pc	Stock item	4.50 kg	340

Technical Specifications

E27 max 40 Watt / 7 Watt CFL

Material: Lacquered steel, brass, stainless steel.
Other colors available upon request

The luminaire is compatible with bulbs of the energy classes:
A++ - E. Bulb is not included.



LIGHTING

FLOWERPOT VP4

BY VERNER PANTON
1968



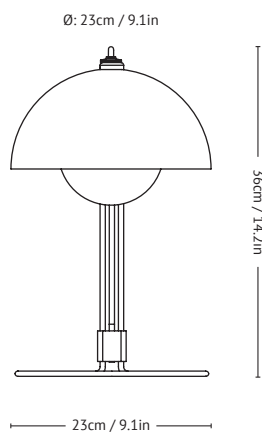
Item code	Product	Model	Colour	Cord	Colli qty.	Lead time	Weight	PRICE EX. VAT (EUR)
20733101	Flowerpot Table lamp	VP4	Matt white	2m white textile	1 pc	Stock item	1.23 kg	240
20739501	Flowerpot Table lamp	VP4	Matt black	2m black textile	1 pc	Stock item	1.23 kg	240
20739601	Flowerpot Table lamp	VP4	Polished brass	2m black textile	1 pc	Stock item	1.23 kg	295
20739701	Flowerpot Table lamp	VP4	Polished copper	2m black textile	1 pc	Stock item	1.23 kg	295
20739902	Flowerpot Table lamp	VP4	Polished stainless steel	2m black textile	1 pc	Stock item	1.23 kg	295

Technical Specifications

E27 max 40 Watt / 7 Watt CFL

Material: Lacquered metal, brass, copper, stainless steel.
Other colors available upon request.

The luminaire is compatible with bulbs of the energy classes:
A++ - E. Bulb is not included.



MASS LIGHT NA5 & NA6

BY NORM ARCHITECTS
2012



Item code	Product	Model	Colour	Cord	Colli qty.	Lead time	Weight	PRICE EX. VAT (EUR)
20619600	Mass Light Pendant	NA5	Brass	4m black textile	3 pc	Stock item	0.70 kg	147
20619700	Mass Light Pendant	NA5	Copper	4m black textile	3 pc	Stock item	0.70 kg	147
20610101	Mass Light Pendant	NA5	Nero Marquina marble	4m black textile	3 pc	Stock item	1.20 kg	158
20610901	Mass Light Chandelier	NA6	Brass	4m black textile	1 pc	Stock item	7.10 kg	1.135
20610902	Mass Light Chandelier	NA6	Copper	4m black textile	1 pc	Stock item	7.10 kg	1.135
20610903	Mass Light Chandelier	NA6	Nero Marquina marble	4m black textile	1 pc	Stock item	11.60 kg	1.249

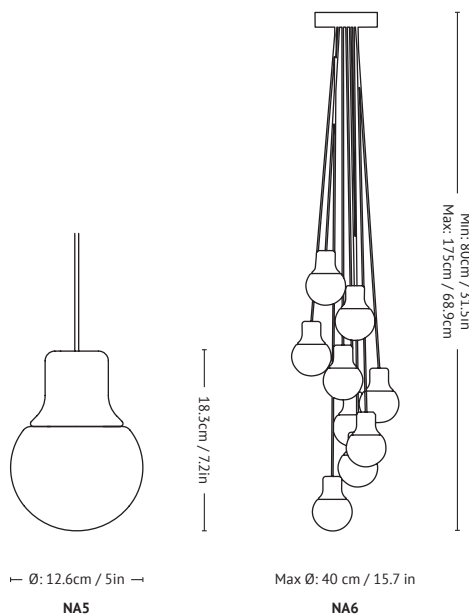
Technical Specifications

NA5: G9 max 40 Watt

NA6: 9 x G9 max 40 Watt

Material: Brass, copper, marble, white satinized opal glass.

The luminaire is compatible with bulbs of the energy classes: A++ - E. Bulb is not included. Canopy included.



ICE CHANDELIER SR6

BY **SOFIE REFER**
2006



Item code	Product	Model	Colour	Cord	Colli qty.	Lead time	Weight	PRICE EX. VAT (EUR)
209700	Ice Chandelier	SR6	Clear	Clear pvc	1 pc	Stock item	7.61 kg	1.158
209794	Ice Chandelier	SR6	Silver	Clear pvc	1 pc	Stock item	7.61 kg	1.158
209796	Ice Chandelier	SR6	Gold	Clear pvc	1 pc	Stock item	7.61 kg	1.158

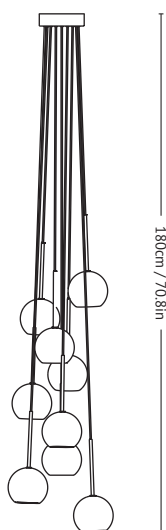
Technical Specifications

9 x G4 max 10 Watt

Material: Mouth blown glass, anodised aluminium.

Colours: Clear glass with anodized aluminium.
Silver lustre glass with black anodized aluminium.
Gold lustre glass with gold anodized aluminium.

The luminaire is compatible with bulbs of the energy class: C.
The luminaire is sold with a bulb of the energy class: C.
Canopy included.



Ø: 38cm / 14.9in

LIGHTING

UTZON JU1

BY JØRN UTZON
1947



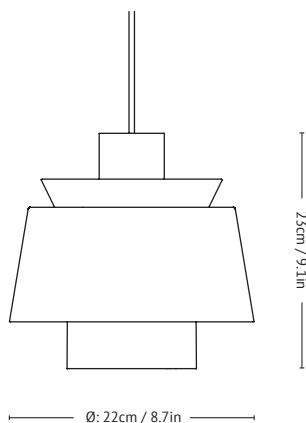
Item code	Product	Model	Colour	Cord	Colli qty.	Lead time	Weight	PRICE EX. VAT (EUR)
206030	Utzon	JU1	White	3m white textile	1 pc	Stock item	1.00 kg	192
206096	Utzon	JU1	Polished brass	3m black textile	1 pc	Stock item	1.00 kg	306
206097	Utzon	JU1	Polished copper	3m black textile	1 pc	Stock item	1.00 kg	306

Technical Specifications

E27 max 60 Watt / 12 Watt CFL

Material: Lacquered steel, brass, copper.
Other colors available upon request

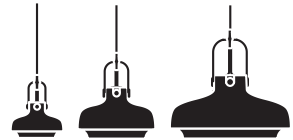
The luminaire is compatible with bulbs of the energy classes:
A++ - E. Bulb is not included. Canopy included.



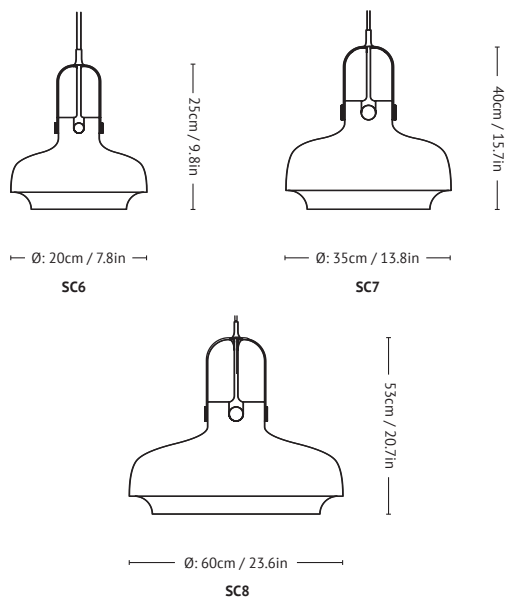
LIGHTING

COPENHAGEN SC6, SC7 & SC8

BY SPACE COPENHAGEN
2014



Item code	Product	Model	Colour	Cord	Colli qty.	Lead time	Weight	PRICE EX. VAT (EUR)
20951130	Copenhagen Pendant	SC6	Matt white	4m black textile	2 pc	Stock item	0.83 kg	170
20951142	Copenhagen Pendant	SC6	Matt blush	4m black textile	2 pc	Stock item	0.83 kg	170
20951149	Copenhagen Pendant	SC6	Matt moss	4m black textile	2 pc	Stock item	0.83 kg	170
20951191	Copenhagen Pendant	SC6	Matt slate	4m black textile	2 pc	Stock item	0.83 kg	170
20951194	Copenhagen Pendant	SC6	Matt black	4m black textile	2 pc	Stock item	0.83 kg	170
20951120	Copenhagen Pendant	SC6	Opal glass	4m black textile	2 pc	Stock item	1.10 kg	249
20951230	Copenhagen Pendant	SC7	Matt white	4m black textile	2 pc	Stock item	2.08 kg	317
20951294	Copenhagen Pendant	SC7	Matt black	4m black textile	2 pc	Stock item	2.08 kg	317
20951220	Copenhagen Pendant	SC7	Opal glass	4m black textile with wire	1 pc	Stock item	3.00 kg	397
20951330	Copenhagen Pendant	SC8	Matt white	6m black textile with wire	1 pc	Stock item	4.50 kg	567
20951394	Copenhagen Pendant	SC8	Matt black	6m black textile with wire	1 pc	Stock item	4.50 kg	567
20951100	Acrylic difuser	SC6			2 pc	Stock item	0.04 kg	9
20951200	Acrylic difuser	SC7			2 pc	Stock item	0.14 kg	11
20951300	Acrylic difuser	SC8			2 pc	Stock item	0.44 kg	16



Technical Specifications

SC6: G9 Max 40 Watt.
SC7: E27 Max 100 Watt
SC8: E27 Max 150 Watt.

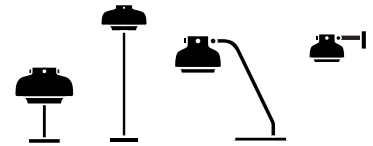
Material: Lacquered steel shade & plated steel suspension, satinized opal glass with bronzed brass suspension.

SC6: The luminaire is compatible with bulbs of the energy classes: A++ - E. Bulb is not included. Canopy included.

SC7 & SC8: The luminaire is compatible with bulbs of the energy classes: A++ - E. Bulb is not included. Canopy included.

COPENHAGEN SC13, SC14, SC15 & SC16

BY SPACE COPENHAGEN
2018



Item code	Product	Model	Colour	Cord	Colli qty.	Lead time	Weight	PRICE EX. VAT (EUR)
65201001	Copenhagen Table Lamp	SC13	Opal glass & bronzed brass	3.5m black pvc	1 pc	Stock item	4.40 kg	454
65211001	Copenhagen Floor Lamp	SC14	Opal glass & bronzed brass	3.5m black pvc w. switch	1 pc	Stock item	11.00 kg	851
65221001	Copenhagen Desk Lamp	SC15	Opal glass & bronzed brass	3.5m black pvc	1 pc	Stock item	2.70 kg	317
65231001	Copenhagen Wall Lamp	SC16	Opal glass & bronzed brass	3.5m black pvc	1 pc	Stock item	0.90 kg	261

Technical Specifications

SC13

8 Watt LED
CRI: +85
Colour temp.: Dim to warm technology 2200-2800K
Light output: 700 lumen
Lumen/watt: 88 lumen
Dimmer on base
The luminaire is energy classe: A+
The built-in LED module can be replaced in this luminaire.
Available upon request.

SC14

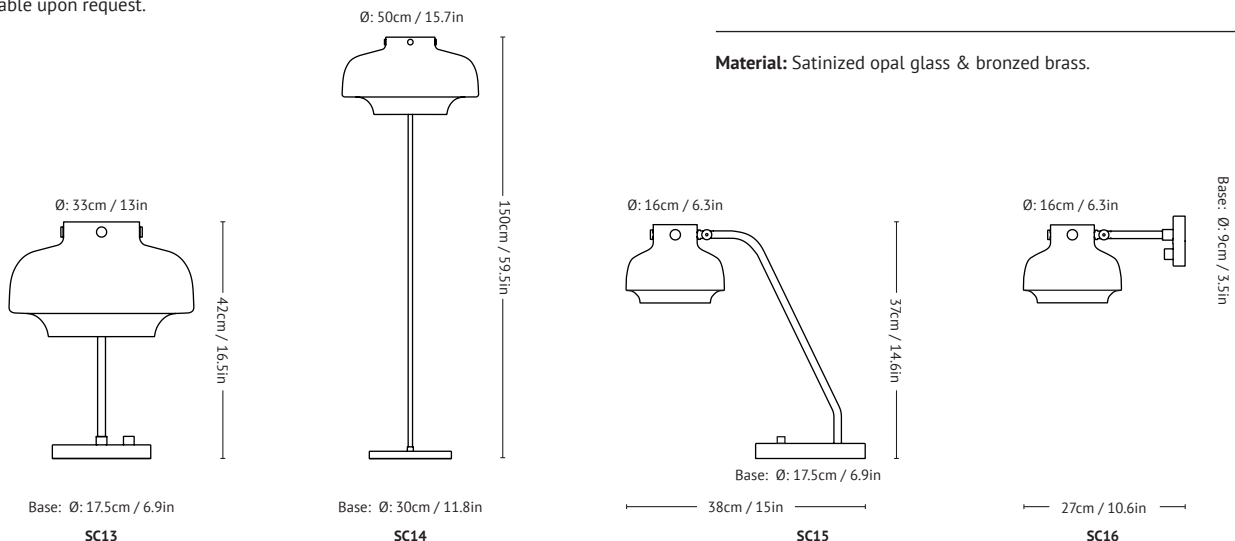
18 Watt LED
CRI: +85
Colour temp.: Dim to warm technology 2200-2800K
Light output: 1300 lumen
Lumen/watt: 72 lumen
Dimmer on cable
The luminaire is energy classe: A+
The built-in LED module can be replaced in this luminaire.
Available upon request.

SC15

5.5 Watt LED
CRI: +85
Colour temp.: Dim to warm technology 2200-2800K
Light output: 420 lumen
Lument/watt: 76 lumen
Dimmer on base
The luminaire is energy class: A
The built-in LED module can't be replaced in this luminaire.

SC16

5.5 Watt LED
CRI: +85
Colour temp.: Dim to warm technology 2200-2800K
Light output: 420 lumen
Lument/watt: 76 lumen
Dimmer on base
The luminaire is energy class: A
The built-in LED module cannot be replaced in this luminaire.



TRASH ME ^{VV1}

BY VICTOR VETTERLEIN
2010



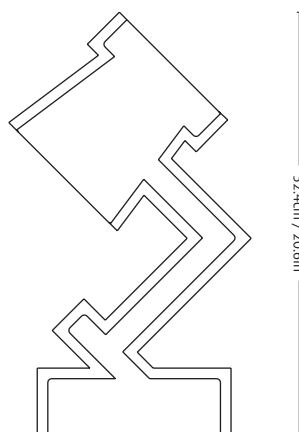
Item code	Product	Model	Colour	Cord	Colli qty.	Lead time	Weight	PRICE EX. VAT (EUR)
20851231	Trash Me Table lamp	VV1	Light grey	2m bordeaux textile	2 pc	Stock item	1.77 kg	56

Technical Specifications

E27 max 40 Watt / 7 Watt CFL

Material: Paper pulp.

The luminaire is compatible with bulbs of the energy classes: A++ - E. Bulb is not included.



← 25.4cm / 10in x 16.5cm / 6.5in →

SPINNING BH1 & BH2

BY BENJAMIN HUBERT
2010



Item code	Product	Model	Colour	Cord	Colli qty.	Lead time	Weight	PRICE EX. VAT (EUR)
20929003	Spinning	BH1	Dark matt grey	4m grey pvc	1 pc	Stock item	1.27 kg	181
20929002	Spinning	BH1	Matt white	4m white pvc	1 pc	Stock item	1.27 kg	181
20929003	Spinning	BH1	Matt black	4m black pvc	1 pc	Stock item	1.27 kg	181
20919001	Spinning	BH2	Dark matt grey	4m grey pvc	1 pc	Stock item	2.30 kg	227
20919002	Spinning	BH2	Matt white	4m white pvc	1 pc	Stock item	2.30 kg	227
20919003	Spinning	BH2	Matt black	4m black pvc	1 pc	Stock item	2.30 kg	227

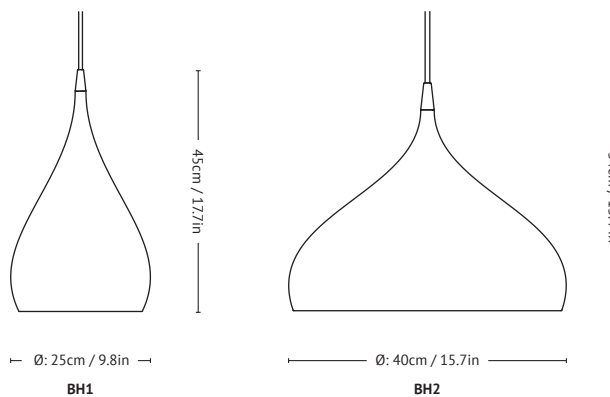
Technical Specifications

BH1: E27 max 60 Watt / 12 Watt CFL

BH2: E27 max 60 Watt / 12 Watt CFL

Material: Lacquered aluminium.

The luminaire is compatible with bulbs of the energy classes: A++ - E. Bulb is not included. Canopy included.



LIGHTING

BULB SR1

BY **SOFIE REFER**
2001



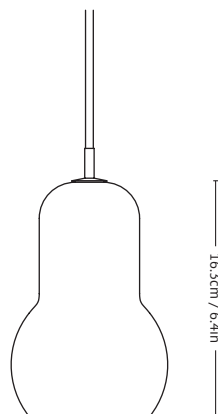
Item code	Product	Model	Colour	Cord	Colli qty.	Lead time	Weight	PRICE EX. VAT (EUR)
200300	Bulb	SR1	Clear	3m clear pvc	2 pc	Stock item	0.55 kg	79
200394	Bulb	SR1	Clear	3m black textile	2 pc	Stock item	0.55 kg	79

Technical Specifications

E27 max 60 Watt / 12 Watt CFL

Material: Mouth blown glass, porcelain lamp holder.

The luminaire is compatible with bulbs of the energy classes: A++ - E. Bulb is not included. Canopy included.



— Ø: 11cm / 4.3in —

LIGHTING

MEGA BULB SR2

BY SOFIE REFER
2006



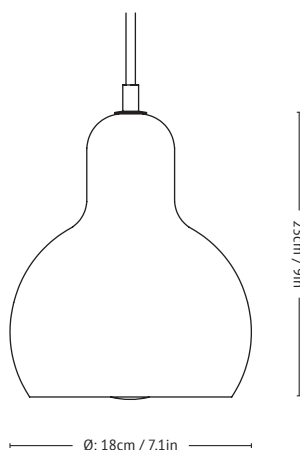
Item code	Product	Model	Colour	Cord	Colli qty.	Lead time	Weight	PRICE EX. VAT (EUR)
200400	Mega Bulb	SR2	Clear	3m clear pvc	2 pc	Stock item	0.83 kg	124
200494	Mega Bulb	SR2	Clear	3m black textile	2 pc	Stock item	0.83 kg	124
200500	Mega Bulb	SR2	Silver	3m clear pvc	2 pc	Stock item	0.83 kg	147
200594	Mega Bulb	SR2	Silver	3m black textile	2 pc	Stock item	0.83 kg	147
200600	Mega Bulb	SR2	Gold	3m clear pvc	2 pc	Stock item	0.83 kg	147
200630	Mega Bulb	SR2	Gold	3m white textile	2 pc	Stock item	0.83 kg	147

Technical Specifications

E27 max 60 Watt / 12 Watt CFL

Material: Mouth blown glass, porcelain lamp holder.

The luminaire is compatible with bulbs of the energy classes: A++ - E. Bulb is not included. Canopy included.



JOURNEY SHY1

BY SIGNE HYTTE
2018



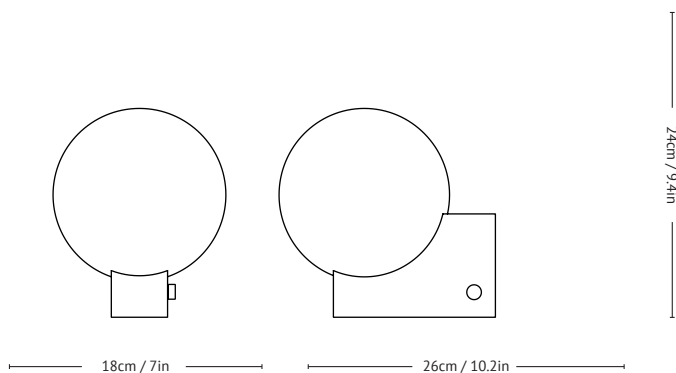
Item code	Product	Model	Colour	Cord	Colli qty.	Lead time	Weight	PRICE EX. VAT (EUR)
20321097	Journey wall & Table lamp	SHY1	Mirror	2m black pvc	2 pc	Stock item	1.60 kg	283
20321094	Journey wall & Table lamp	SHY1	Black	2m black pvc	2 pc	Stock item	1.60 kg	249
20321099	Journey wall & Table lamp	SHY1	Clay	2m black pvc	2 pc	Stock item	1.60 kg	249

Technical Specifications

4.8 Watt LED
CRI: +85
Color temperature (Kelvin): Dim to warm technology - 2200-2800K
Light output: 480 lumen
Lumen/watt: 100 lumen/Watt
Dimmer on base

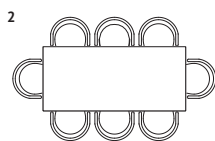
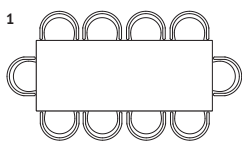
Material: Mouth blown glass, steel.

The luminaire is compatible with bulbs of the energy classes: A++ - A.. The built-in LEDs cannot be changed in this luminaire.

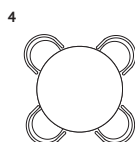
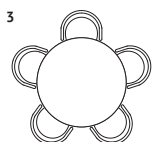


CONFIGURATION

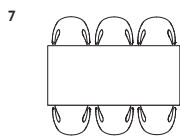
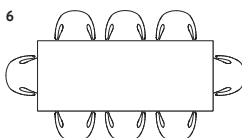
IN BETWEEN TABLE



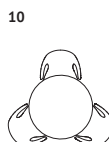
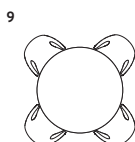
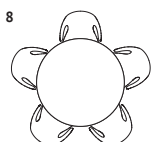
Product	Size	Chairs
(1) In Between Table SK6	250 x 100cm / 98.4 x 39.3in	10 x In Between chairs (SK1/SK2)
(2) In Between Table SK5	200 x 90cm / 78.7 x 35.4in	8 x In Between chairs (SK1/SK2)



Product	Size	Chairs
(3) In Between Table SK4	Ø: 120cm / 47.2in	5 x In Between chairs (SK1/SK2)
(4) In Between Table SK4	Ø: 120cm / 47.2in	4 x In Between chairs (SK1/SK2)
(5) In Between Table SK3	Ø: 90cm / 35.4in	3 x In Between chairs (SK1/SK2)



Product	Size	Chairs
(6) In Between Table SK6	250 x 100cm / 98.4 x 39.3in	8 x Catch Chairs (JH1, JH2 & JH15)
(7) In Between Table SK5	200 x 90cm / 78.7 x 35.4in	6 x Catch Chairs (JH1, JH2 & JH15)

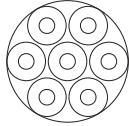


Product	Size	Chairs
(8) In Between Table SK4	Ø: 120cm / 47.2in	5 x Catch Chairs (JH1, JH2 & JH15)
(9) In Between Table SK4	Ø: 120cm / 47.2in	4 x Catch Chairs (JH1, JH2 & JH15)
(10) In Between Table SK3	Ø: 90cm / 35.4in	3 x Catch Chairs (JH1, JH2 & JH15)

CONFIGURATION

BLOWN CHANDELIER SW3

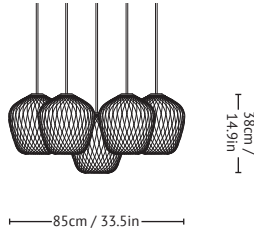
PRICE EX.
VAT (EUR)



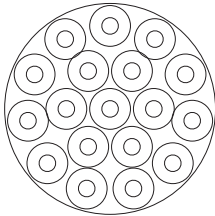
Ø: 85cm/33.5in

7 Lamps
Ex. canopy

Canopy available upon request



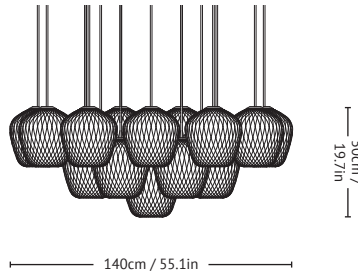
FROM
2.023



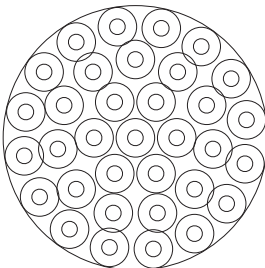
Ø: 140cm/55.1in

18 Lamps
Ex. canopy

Canopy available upon request



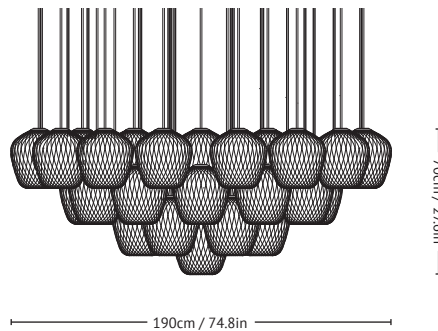
FROM
5.202



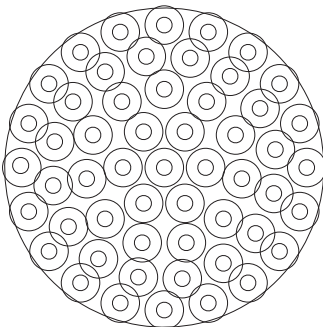
Ø: 190cm/74.8in

34 Lamps
Ex. canopy

Canopy available upon request



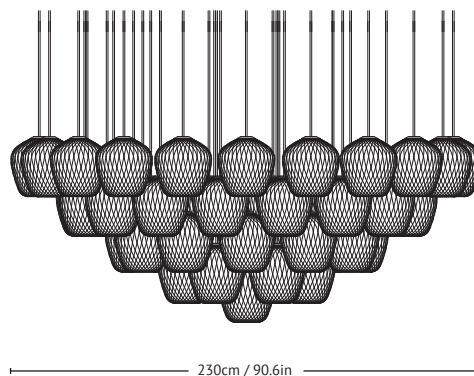
FROM
9.826



Ø: 230cm/90.6in

54 Lamps
Ex. canopy

Canopy available upon request

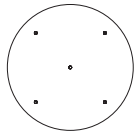


FROM
15.606

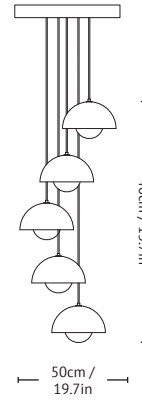
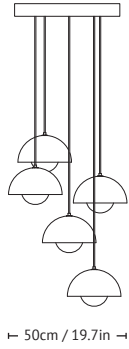
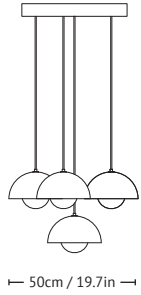
CONFIGURATION

FLOWERPOT VP1

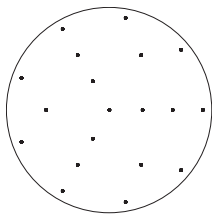
PRICE EX.
VAT (EUR)



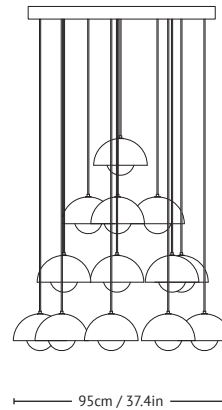
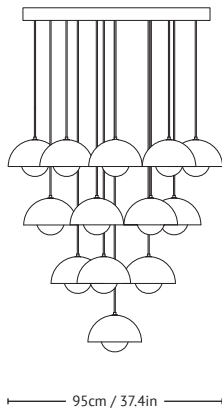
Ø: 45cm/17.7in
5 Lamps
Canopy included.



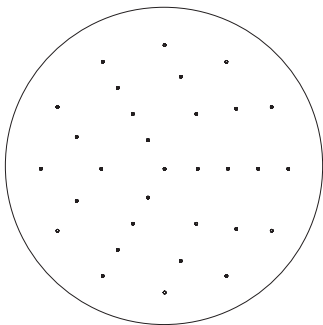
FROM
1.324



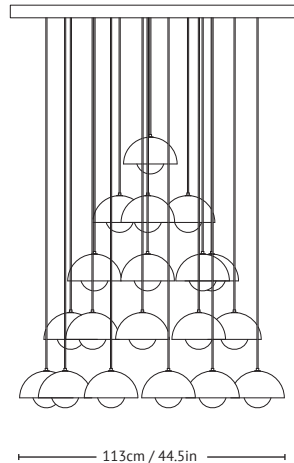
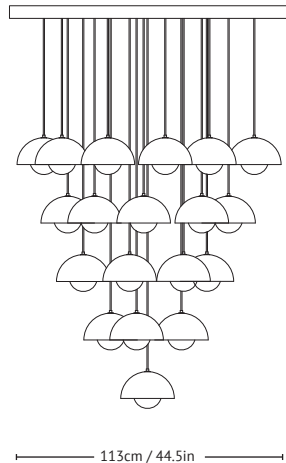
Ø: 80cm/31.5in
19 Lamps
Canopy included.



FROM
3.985



Ø: 125cm/49.2in
31 Lamps
Canopy included.

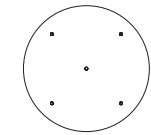


FROM
6.520

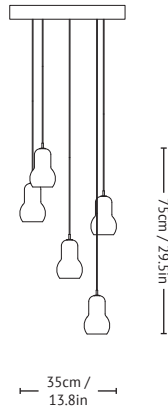
CONFIGURATION

BULB SR1

PRICE EX.
VAT (EUR)



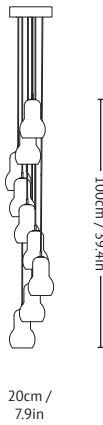
Ø: 45cm/17.7in
5 Lamps
Canopy included



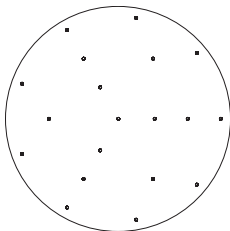
FROM
819



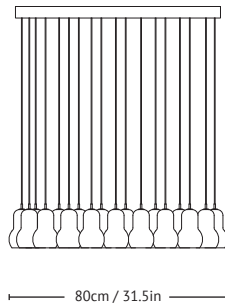
Ø: 16.5cm/6.5in
9 Lamps
Canopy included



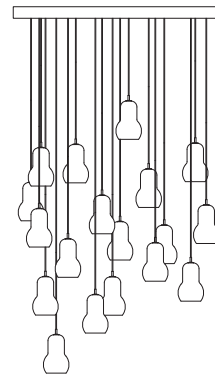
FROM
859



Ø: 80cm/31.5in
19 Lamps
Canopy included



20cm /
7.9in



100cm / 39.4in

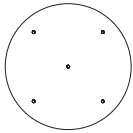
80cm / 31.5in

FROM
2.066

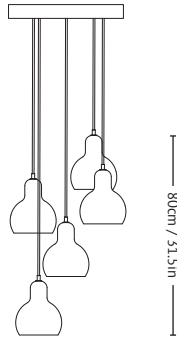
CONFIGURATION

MEGA BULB SR2

PRICE EX.
VAT (EUR)

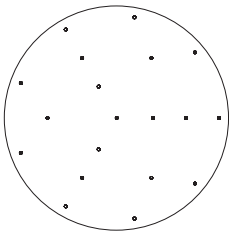


Ø: 45cm/17.7in
5 Lamps

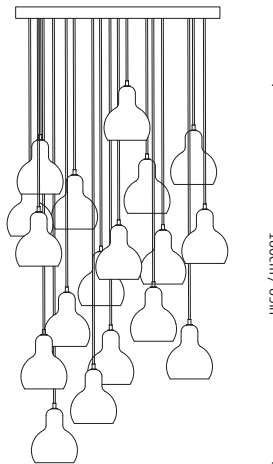


← 40cm / 15.7in →

FROM
1.079



Ø: 80cm/31.5in
19 Lamps



← 90cm / 35.4in →

FROM
3.054

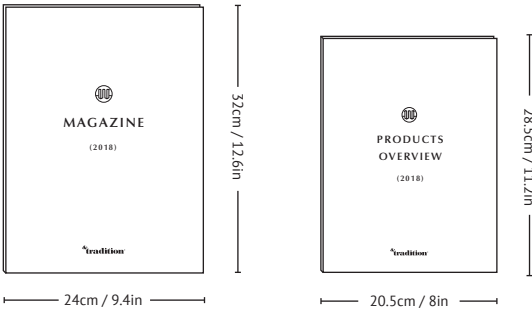
MARKETING MATERIAL

POS-MATERIAL

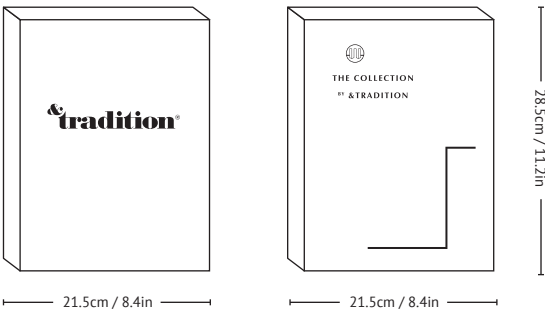
Product	Size	PRICE EX. VAT (EUR)
Samplebox - Collection of selected &tradition material	H: 12.5cm / 4.9in L: 31cm / 12.2in W: 22cm / 8.7in	290



Product	Size	Lead time
Catalogue 1 (Magazine)	H: 32cm / 12.6in L: 24cm / 9.4in	Stock item
Catalogue 2 (Products Overview)	H: 28.5cm / 11.2in L: 20.5cm / 8in	Stock item



Logo block	H: 28.5cm / 11.2in L: 21.5cm / 8.4in W: 6cm / 2.3in	Stock item
------------	---	------------



Logo foil 80 cm	H: 15.1cm / 5.9in L: 80cm / 31.5in	Stock item
Logo foil 30 cm	H: 5.7cm / 2.2in L: 30cm / 11.8in	Stock item



SPARE PARTS

SPARE PARTS

Item No.	Product	Colour	Colli qty.	PRICE EX. VAT (GBP)
BALDA50-1	Canopy	White	1 pc	11
BALDA51-1	Canopy	Black	1 pc	11
20600230	Canopy for wire suspension (SW3 + SC8)	White	1 pc	11
20600294	Canopy for wire suspension (SW3 + SC8)	Black	1 pc	11
RV217000R	VP1 + VP4, Stand		1 pc	27
RV217005	VP1, Logo ring + screw thread		1 pc	8
RV217200R	VP3, Stand		1 pc	33
RV217205	VP3, Logo ring + top ball		1 pc	11
RV217305	VP4, Logo ring + screw thread		1 pc	16
200300-1	Bulb shade	Clear	1 pc	55
200400-1	Mega bulb shade	Clear	1 pc	71
200500-1	Mega bulb shade	Silver	1 pc	77
200600-1	Mega bulb shade	Gold	1 pc	77
RV204030	Milk shade	Opal glass	1 pc	55
200700-1	Ice shade	Clear	1 pc	55
200794-1	Ice shade	Silver	1 pc	55
200796-1	Ice shade	Gold	1 pc	55
RV206100	Mass Light Shade	Matt	1 pc	55
RV209611	Marble light glass Ø80mm (SV1,SV3)	Clear	1 pc	33
RV209612	Marble light glass Ø110mm (SV4)	Clear	1 pc	55
RV209614	Marble light glass Ø130mm (SV2,SV7)	Clear	1 pc	44
RV209615	Marble light glass Ø160mm (SV5,SV6)	Clear	1 pc	66
210601	LED bulb, E27 3,5W, dimmable		1 pc	14
210602	LED bulb, E27 5W		1 pc	16
210603	LED Globe, E27 3,5W		1 pc	33
RV206100	G9 Glass diffuser (SC6 Opal)		1 pc	5
SP206330	Fitting system (SW3)	White	1 pc.	55
SP206394	Fitting system (SW3)	Black	1 pc.	55
SP2064030	Fitting system (SW4)	White	1 pc.	44
SP2064094	Fitting system (SW4)	Black	1 pc.	44
SAMPLE7	Oil kit for smoked oak		1 pc	33

SPARE PARTS

SPARE PARTS

Item No.	Product	Colour	Colli qty.	PRICE EX. VAT (GBP)
SP3004301	Cord (textile)	Beige Red	1m	5
SP3005601	Cord (textile)	Black Blue	1m	5
SP3005601	Cord (textile)	Dark Green	1m	5
SP3004401	Cord (textile)	Deep Red	1m	5
SP3008901	Cord (textile)	Grey Beige	1m	5
SP3002201	Cord (textile)	Mustard	1m	5
SP2070300	Cord (textile)	White	1m	5
SP2070940	Cord (textile)	Black	1m	5
SP3009102	Cord (textile)	Light Matt Grey	1m	5
SP2011000	Cord (PVC)	Clear	1m	5
65002000	Fly seat cushion	COM Fabric	1 pc.	288
65002005	Fly seat cushion	Hot Madison (all colors), Remix, Canvas, Jacquard, Velvet	1 pc.	387
65002006	Fly seat cushion	Rime, Hallingdal, Divina, Divina MD, Divina Melange, Steelcut, Steelcut Trio, Tonus, Tonus Meadow, Hero, Fiord, Maple, Pine	1 pc.	465
65002007	Fly seat cushion	Balder, Sunniva, Vidar, Harald, Colline	1 pc.	543
65002008	Fly seat cushion	Sonar, Pilot, Haakon, Ria, Karakorum	1 pc.	853
65012000	Fly back cushion	COM Fabric	1 pc.	177
65012005	Fly back cushion	Hot Madison (all colors), Remix, Canvas, Jacquard, Velvet	1 pc.	232
65012006	Fly back cushion	Rime, Hallingdal, Divina, Divina MD, Divina Melange, Steelcut, Steelcut Trio, Tonus, Tonus Meadow, Hero, Fiord, Maple, Pine	1 pc.	254
65012007	Fly back cushion	Balder, Sunniva, Vidar, Harald, Colline	1 pc.	288
65012008	Fly back cushion	Sonar, Pilot, Haakon, Ria, Karakorum	1 pc.	443
65022000	Fly small pillow	COM Fabric	1 pc.	144
65022005	Fly small pillow	Hot Madison (all colors), Remix, Canvas, Jacquard, Velvet	1 pc.	132
65022006	Fly small pillow	Rime, Hallingdal, Divina, Divina MD, Divina Melange, Steelcut, Steelcut Trio, Tonus, Tonus Meadow, Hero, Fiord, Maple, Pine	1 pc.	144
65022007	Fly small pillow	Balder, Sunniva, Vidar, Harald, Colline	1 pc.	166
65022008	Fly small pillow	Sonar, Pilot, Haakon, Ria, Karakorum	1 pc.	265
65032000	Fly medium pillow	COM Fabric	1 pc.	144
65032005	Fly medium pillow	Hot Madison (all colors), Remix, Canvas, Jacquard, Velvet	1 pc.	177
65032006	Fly medium pillow	Rime, Hallingdal, Divina, Divina MD, Divina Melange, Steelcut, Steelcut Trio, Tonus, Tonus Meadow, Hero, Fiord, Maple, Pine	1 pc.	199
65032007	Fly medium pillow	Balder, Sunniva, Vidar, Harald, Colline	1 pc.	221
65032008	Fly medium pillow	Sonar, Pilot, Haakon, Ria, Karakorum	1 pc.	332

MATERIALS & MAINTENANCE

We challenge convention to create objects that rethink how we use materials and manufacturing techniques. We find beauty in objects that can be created by the latest industrial processes as well as those that maintain techniques that have evolved over a long period of time. We strive for timeless beauty and quality that is made to last.

The below contains information about the materials and finishes used in the &tradition collection as well as guidelines for daily care, cleaning and maintenance of them.

OILED OAK

Oiled oak, whether solid or veneered, is a fundamental material in the &tradition collection. To a greater extent than lacquering and staining, oiling leaves the wood feeling and looking natural and still offers a good surface protection. Oiled wood will develop a natural patina and character over time which will only enhance the beauty of the material.

Solid oak and oak veneer is oiled using either white pigmented oil or a dark smoked oil. The white pigmented oil allow the oak to maintain its original and natural light color for longer and thereby protects the wood from premature darkening and turning yellow. The smoked oil offers a unique dark finish and character. Variations in wood structure and color are natural characteristics of solid oak. This feature is further enhanced when applying the smoked oil and should be seen as part of the overall product.

For daily care, dust oiled furniture with a soft dry cloth. Cleaning can be done using a soft cloth wrung in lukewarm water following the wood grain and dried immediately with a soft cloth following the wood grains. For more severe cleaning a soap specifically developed for oiled wood can be used. Follow the instructions on the packaging of the cleaning product.

To maintain the look and silky feeling of oiled wood, regular re-oiling is recommended. Re-oiling should be done when the wood starts to appear dry or faded. Usually, re-oiling one time every year is sufficient. Re-oiling of white oiled oak can be done by applying standard white pigmented oil for indoor wood products. Follow the instructions on the oil packaging. Smoked oiled furniture can be re-oiled and maintained by applying &tradition smoked oil. A smoked oil kit can be bought through the retailer that initially sold the furniture. The smoked oil kit comes with user instructions and the instructions can also be downloaded from www.andtradition.com

Avoid use of cleaning detergents and abrasive cleaning agents as they may damage the surface of the oiled wood. Avoid placing wooden furniture in direct sunlight, excessive heat or humidity.

LACQUERED OR STAINED WOOD

Lacquered or stained wood offers a stronger surface than oiling and is also effective when colored surfaces are desired. Compared to oiled wood, lacquered and stained wood is easier to clean and requires no maintenance.

For daily care it is recommended to dust the furniture with a soft cloth. Lacquered and stained wood can be cleaned with a soft cloth wrung in a mild solution of lukewarm water and a universal cleaning detergent. Always follow the wood grains and always dry with a soft dry cloth immediately after cleaning.

Avoid use of abrasive cleaning agents and aggressive cleaning detergents as

this will damage the surface of the lacquered or stained wood. Avoid placing wooden furniture in direct sunlight, excessive heat or humidity.

LINOLEUM

Table tops with linoleum offers a soft touch surface that does not feel as cold and hard as laminate. Regular cleaning is done with a soft cloth wrung in a mild solution of lukewarm water and a universal cleaning detergent.

Avoid placing sharp objects on the surface as this may scratch the surface. It is recommended to use trivets or coasters under flowerpots, vases, cups etc.

LAMINATE

Laminate is a hard-wearing and maintenance free material used for table tops in the &tradition collection. Laminate can be cleaned with a soft cloth wrung in a mild solution of lukewarm water and a universal cleaning detergent. Always wipe over with a dry soft cloth after cleaning. For difficult stains such as coffee or tea use a nylon bristle brush with mild household cleaner or detergent, rinsing with clean water and repeating as necessary. Rinse thoroughly with water.

FENIX NTM NANO LAMINATE

Fenix NTM Nano laminate is a soft touch laminate based on nano technology and is used for table tops as an alternative to linoleum and standard laminate. The nano laminate offers unique features such as scratch resistance, soft touch, low light reflectivity, anti-fingerprint and much more. For more details about the unique properties of nano laminate, as well as cleaning and maintenance refer to; www.fenixntm.com/en

GLASS

Glass, in various colors and shapes, is an important material in the &tradition lighting collection. All glass is mouth blown and hand crafted which ensures that each item is unique and has its own character. Examples of characteristics of mouth blown glass are minor air bubbles and variations in form and thickness.

A number of the glass products in the lighting collection are colored in silver and gold tones using a traditional luster painting technique. Luster is applied with a brush to the clear glass by skilled craftsmen and the glass is subsequently burned at +450°C to melt the luster color into the glass mass. The process ensures a very smooth and highly scratch resistant surface. Since the entire process of applying the luster is performed by hand, slight deviations in color may occur from item to item.

Daily cleaning of glass is best done using a dry soft cloth. If more severe cleaning is necessary, it is recommended to use a soft cloth in combination with a standard glass cleaning detergent and dry off with a soft dry cloth afterwards. Avoid using abrasive cleaning agents on glass as this will damage the surface.

MARBLE

Marble is used in the &tradition collection on both lighting products and furniture. The natural material offers a distinctive and exclusive look and two items will never look the same.

MATERIALS

Marble used on &tradition table tops is treated with a sealer which makes the table top more stain resistant than untreated marble. However, it is strongly recommend always to use a trivet and not to place glasses or cups with liquids directly onto the marble table top. As a natural material, marble is sensitive to liquids and if not removed immediately, spilled liquids will leave a permanent stain on the table top.

For daily care and cleaning it is recommended to use a cleaning agent specifically developed for stone or marble. It is also highly recommended to do a re-sealing of the table top approximately every second month using an appropriate sealer developed specifically for stone or marble.

The marble used on lighting products has no surface protection and is therefore more exposed to stains and marks. If possible, it is recommended only to clean marble on lighting products with a soft dry cloth. In case more severe cleaning is necessary, use a cleaning agent specifically developed for stone or marble. Avoid using abrasive cleaning agents or aggressive cleaning detergents on marble as this will permanently damage the surface.

LACQUERED & POWDER COATED METAL

The majority of the lighting products in the &tradition collection have a lacquered or powder-coated surface. The True Colour vases have a protective lacquered finish and some furniture have powder coated parts. These surfaces are durable, require no maintenance and offer an endless palette of colors, textures and gloss.

It is recommended only to use a soft dry cloth to clean lacquered and powder coated surfaces but in case more severe cleaning is necessary, a soft cloth wrung in lukewarm water can be carefully applied. Always dry immediately after cleaning with a soft dry cloth. Avoid using abrasive cleaning agents or aggressive cleaning detergents on lacquered or powder coated surfaces as this may permanently damage the surface.

STAINLESS STEEL

Stainless steel is used on both lighting products and furniture in either a mirror-polished or satin-polished finish. Stainless steel is a classic strong corrosion resistant material that requires no surface protection and will not change appearance over time.

Dust stainless steel products for daily care using only a soft dry cloth. Cleaning of stainless steel should be done only by using a cleaning detergent specifically for stainless steel. Follow the instructions on the packaging. Cleaning agents not developed specifically for stainless steel may permanently damage the surface of the stainless steel and should never be used.

BRASS & COPPER

Brass and Copper is used for both lighting products and furniture in either a mirror-polished or satin-polished finish. Depending on the product, the brass and copper may be coated using a transparent lacquer or left untreated. Coated brass and copper will not change appearance over time whereas uncoated brass and copper will develop a unique and beautiful patina over time adding character to the product.

For daily cleaning of coated brass and copper it is recommended only to use a soft dry cloth. For removal of stains, a soft cloth wrung in lukewarm water can be carefully applied. Always dry immediately after cleaning with a soft dry cloth.

For daily cleaning of uncoated brass and copper it is recommended only to use a soft dry cloth. In case a patina of the material is not desired, the material can be regularly cleaned and polished using a detergent specifically for brass and copper.

Avoid using abrasive cleaning agents or aggressive cleaning detergents on coated and uncoated brass and copper as this will permanently damage the surface.

WOVEN KELIM & HAND-LOOMED RUGS

The rugs in the &tradition collection, whether kelim or hand-loom woven, are hand-made in India by skilled craftsmen using carefully selected natural materials. Being handmade, each rug will have its own unique character and therefore patterns and colours of two rugs will never be identical.

A new rug will shed a bit of fluff caused by excess fibers that were not fully spun into the yarn during spinning. This is normal and over time, the fluffing will lessen and eventually stop.

To prolong the lifetime of a rug, it is highly recommended to use a rug underlay. An underlay ensures that the rug remains in a fixed position and will also reduce the risk of staining.











Kelim rugs are reversible and it is recommended to turn the rug over every six months to avoid one side being worn unevenly compared to the other side.

For daily care, vacuum the rug regularly to keep it free from fluff and dust or sand particles which will wear and tear the rug over time if not removed. Spots can be attempted to be removed by dabbing the spots very gently with a damp cloth soaked in carbonated water. In case more tho-rough cleaning is necessary, professional cleaning is recommended.

Placing a rug in direct sunlight is not recommended as it will fade the colors of the rug over time.

MATERIALS

COLOUR CODES

Product	Mustard NCS S 3060-Y10R	Beige red RAL 3012	Deep red NCS S 5040-R10B	Black blue RAL 5004	Dark green NCS S 8010-B70G	Grey Beige NCS S 4005-Y20R	White RAL 9010	Matt black RAL 9017	Matt white RAL 9003	Matt light grey pantone 3 U	Matt dark grey pantone 11 U	Matt moss NCS S 6005-G20Y	Matt bluish NCS S 5020-R20B
 Flowerpot VP1	•	•	•	•	•	•	•	•	•	•			
 Flowerpot VP2							•						
 Flowerpot VP3		•	•	•	•	•	•			•			
 Flowerpot VP4								•	•				
 Topan VP6			•	•	•	•	•						
 Copenhagen SC6								•	•		•	•	•
 Copenhagen SC7								•	•				
 Copenhagen SC8								•	•				
 Spinning BH1								•	•		•		
 Spinning BH2								•	•		•		

Product	Black RAL 9011	Ivory white RAL: 1013	Beige grey NCS S: 4005-Y20R
 Bellevue AJ7	•	•	•
 Bellevue AJ8	•	•	•
 Bellevue AJ9	•	•	•
 Bellevue AJ10	•	•	•
 Bellevue AJ11	•	•	•

*Variations in colours might occur

PRODUCT INFORMATION

PACKAGING INFORMATION

Product	Information	Height cm	Width cm	Length cm	Weight	Colli qty.
Catch Chair	JH1	90	61	61	11.10 kg	1 pc
Catch Chair	JH2	90	61	61	12.10 kg	1 pc
Catch Chair	JH15	90	61	61	11.10 kg	1 pc
Catch Lounge	JH13	90	84	94	19.10 kg	1 pc
Catch Lounge	JH14	90	84	94	19.10 kg	1 pc
Catch Bar Stool	JH16	125	61	61	15.30 kg	1 pc
Catch Bar Stool	JH17	125	61	61	15.60 kg	1 pc
In Between Chair	SK1	95	72	60	11.00 kg	2 pc
In Between Chair	SK2	95	72	60	11.50 kg	2 pc
In Between Counter stool	SK7	104	54	60	8.45 kg	1 pc
In Between Counter stool	SK8	104	54	60	8.65 kg	1 pc
In Between Barstool	SK9	104	54	60	8.85 kg	1 pc
In Between Barstool	SK10	104	54	60	9.05 kg	1 pc
Norm Stool	NA3	9	42	37	4.69 kg	1 pc
Norm Barstool	NA8	80	51	42	6.10 kg	1 pc
Pavillion	AV1	87	58	59	17.65 kg	2 pc
Pavillion	AV2	87	58	59	19.65 kg	2 pc
Pavillion	AV3	87	58	59	10.65 kg	1 pc
Pavillion	AV4	87	58	59	11.65 kg	1 pc
Loafer	SC23	78	73	73	30.10 kg	1 pc
Mayor Sofa	AJ5	90	211	75	84.60 kg	1 pc
Mayor Sofa	AJ6	67	145	89	54.60 kg	1 pc
Cloud One Seater	LN1	75	108	89	54.10 kg	1 pc
Cloud Two Seater	LN2	75	179	90	82.20 kg	1 pc
Cloud Three Seater	LN3.2	76	90	228	100.30 kg	1 pc
Cloud Pouf	LN4	48	81	72	25.10 kg	1 pc
Cloud	LN5	120	109	89.5	64.30 kg	1 pc
Cloud High Back	LN6	120	179	89.5	97.30 kg	1 pc
Cloud High Back	LN7	120	229	89.5	117.40 kg	1 pc
Develius	EV5	50	80	17	5.50 kg	1 pc
Develius	EV6	50	50	15	2.70 kg	1 pc
Develius	EV7	35	50	13	1.30 kg	1 pc
Develius	EV1A	74	114	93	55.00 kg	1 pc
Develius	EV1B	74	114	93	55.00 kg	1 pc
Develius	EV1C	74	93	93	40.00 kg	1 pc
Develius	EV1D	74	93	93	47.00 kg	1 pc
Develius	EV1E	46	93	93	30.00 kg	1 pc
Develius	EV1F	74	114	93	47.00 kg	1 pc
Develius	EV1G	122	61	61	47.00 kg	1 pc
Develius	EV1H	74	112	154	75.00 kg	1 pc
Develius	EV1I	74	112	154	75.00 kg	1 pc
Develius	EV2A	74	135	112	67.00 kg	1 pc
Develius	EV2B	74	135	112	67.00 kg	1 pc

PRODUCT INFORMATION

PACKAGING INFORMATION

Product	Information	Height cm	Width cm	Length cm	Weight	Colli qty.
Develius	EV2C	74	114	112	53.00 kg	1 pc
Develius	EV2D	74	114	112	62.00 kg	1 pc
Develius	EV2E	46	114	32	37.00 kg	1 pc
Develius	EV2F	74	135	112	62.00 kg	1 pc
Develius	EV2G	74	135	112	62.00 kg	1 pc
Isole	NN1A	26.5	66.5	66.5	7.50 kg	1 pc
Isole	NN1B	22.5	46.5	68	6.5 kg	1 pc
Isole	NN1C	22.5	46.6	68	5.5 kg	1 pc
Isole	NN1G	7	4	4	0.2 kg	1 pc
Isole	NN1D	3	31	31	1.7 kg	1 pc
Isole	NN1E	3	21	65.5	2.5 kg	1 pc
Isole	NN1F	3	66	66	7.5 kg	1 pc
Fly Chair	SC10	50.5	77	71	22.00 kg	1 pc
Fly Chair	SC1	50.5	92.5	84.5	30.00 kg	1 pc
Fly Sofa	SC2	50.5	166	84.5	72.15 kg	1 pc
Fly Sofa	SC3	50.5	240.5	84.5	85.55 kg	1 pc
Fly Sofa	SC12	50.5	240.5	84.5	96.55 kg	1 pc
Fly Pouf	SC9	30	85	85	27.00 kg	1 pc
Fly Table	SC4 - Table top	8	88	88	42.00 kg	1 pc
Fly Table	SC4 - Table base	11	85	96	11.00 kg	1 pc
Fly Table	SC5 - Table top	8	67	128	50.00 kg	1 pc
Fly Table	SC5 - Table base	7	126	75	12.00 kg	1 pc
Fly Table	SC11 - Table top	15	136	136	92.00 kg	1 pc
Fly Table	SC11 - Table base	9	125	135	44.00 kg	1 pc
In Between Table	SK3 - Table top	5	92	92	15.00 kg	1 pc
In Between Table	SK3 - Table leg	25.5	81	23	5.30 kg	1 pc
In Between Table	SK4 - Table top	5	122.5	120	30.00 kg	1 pc
In Between Table	SK4 - Table legs	25.5	81	23	6.00 kg	1 pc
In Between Table	SK5 - Table top	10	100	215	48.00 kg	1 pc
In Between Table	SK5 - Table legs	20	78	87	12.00 kg	1 pc
In Between Table	SK6 - Table top	10	110	265	64.00 kg	1 pc
In Between Table	SK6 - Table legs	20	78	97	13.25 kg	1 pc
Hoof Table	SW1	6	54	66	5.60 kg	1 pc
Hoof Table	SW2	6	107	94	9.90 kg	1 pc
Lato	LN8 - Table top	10	50	70	5.70 kg	1 pc
Lato	LN9 - Table top	10	50	70	6.30 kg	1 pc
Lato	LN8 & LN9 - Base	30	30	30	16.80 kg	1 pc
Palette Table	JH6	50	75	85	25.70 kg	1 pc
Palette Table	JH7	50	70	126	31.70 kg	1 pc
Palette Table	JH8	60	58	70	21.80 kg	1 pc
Palette Desk	JH9	88	145	67	37.60 kg	1 pc
Shuffle Table	MH1 - Spectrum	20	79	48	12.82 kg	1 pc
Shuffle Table	MH1 - Black	20	79	48	30.30 kg	1 pc

PRODUCT INFORMATION

PACKAGING INFORMATION

Product	Information	Height cm	Width cm	Length cm	Weight	Colli qty.
The Moor Rug	AP5	180	30	30	27.50 kg	1 pc
The Moor Rug	AP6	250	30	30	33.15 kg	1 pc
The Moor Rug	AP7	210	30	30	32.70 kg	1 pc
The Moor Rug	AP8	310	30	30	38.60 kg	1 pc
Amore	SC17	100	15	10	7.10 kg	1 pc
Amore	SC18	100	25	10	9.90 kg	1 pc
Amore	SC19	100	35	10	12.00 kg	1 pc
Amore	SC20	200	15	10	12.70 kg	1 pc
Amore	SC21	200	25	10	18.70 kg	1 pc
Amore	SC22	200	35	10	24.60 kg	1 pc
True Colour	LP1 - Vase	20.5	11	11	0.66 kg	2 pc
True Colour	LP2 - Vase	24.5	11	11	1.52 kg	2 pc
True Colour	LP3 - Vase	20.5	9.5	9.5	1.03 kg	2 pc
True Colour	LP4 - Vase	11	9	9	0.50 kg	2 pc
True Colour	LP5 - Vase	14.5	11.5	11.5	1.02 kg	2 pc
True Colour	LP6 - Vase	16.5	7	7	0.59 kg	2 pc
True Colour	LP7 - Vase	18.5	9.5	9.5	0.82 kg	2 pc
Tricolore	SH1	22.5	40.5	22.5	3.90 kg	1 pc
Tricolore	SH2	17.5	36.5	29.5	4.07 kg	1 pc
Tricolore	SH3	27	29	26.5	4.18 kg	1 pc
Light Forest	OD1 - Ceiling	20	50	49.5	4.39 kg	1 pc
Light Forest	OD2 - Wall lamp	20	50	49.5	4.50 kg	1 pc
Fornell	ABF1 - Pendant	15	15	130	4.00 kg	1 pc
Fornell	ABF1 - Canopy	8	14	60	2.00 kg	1 pc
Marble Light	SV2 - Pendant	30	19	23	2.60 kg	2 pc
Marble Light	SV3 - Pendant	21	19	18.5	1.30 kg	2 pc
Marble Light	SV4 - Pendant	31	18.5	18.5	2.00 kg	2 pc
Marble Light	SV5 - Pendant	36.5	21	21	2.00 kg	2 pc
Marble Light	SV6 - Table lamp	36	21.5	22	1.70 kg	2 pc
Marble Light	SV7 - Floor weight & SV2 Pendant	24.5	39	34.5	9.00 kg	1 pc
Blown	SW3 - Pendant	40.5	30	30	5.06 kg	2 pc
Blown	SW4 - Pendant	30	25	25	3.30 kg	2 pc
Passepartout	JH10 - Shade	25	18	19	1.00 kg	1 pc
Passepartout	JH11 - Shade	22	24.5	24	1.30 kg	1 pc
Passepartout	JH10 & JH11 - LED Module	8.4	11.3	11.3	0.25 kg	1 pc
Passepartout	JH12 - Shade	21	30.5	30	2.00 kg	1 pc
Passepartout	JH12 - LED Module	8.4	11.3	11.3	0.25 kg	1 pc
Milk	NA1 - Table lamp	33	27	27	1.98 kg	2 pc
Formakami	JH3 - Shade	10	49	49	0.87 kg	2 pc
Formakami	JH3 - Bracket	8	19	45.5	1.23 kg	2 pc
Formakami	JH4 - Shade	10	52	52	0.95 kg	2 pc
Formakami	JH4 - Bracket	7.5	17	34	2.15 kg	2 pc
Formakami	JH5 - Shade	10	72	73	1.18 kg	2 pc
Formakami	JH5 - Bracket	7.5	23	48.5	0.74 kg	2 pc

PRODUCT INFORMATION

PACKAGING INFORMATION

Product	Information	Height cm	Width cm	Length cm	Weight	Colli qty.
Working Title	HK1	19	50	32	3.20 kg	2 pc
Bellevue	AJ7 - Floor	176	28.5	28.5	10.55 kg	1 pc
Bellevue	AJ8 - Table	93	21	21	5.73 kg	1 pc
Bellevue	AJ9 - Wall	20.5	45	23.5	1.87 kg	1 pc
Topan	VP6	27.8	22.5	22.5	0.90 kg	1 pc
Flowerpot	VP1 - Pendant	15	24.5	25	1.24 kg	2 pc
Flowerpot	VP2 - Pendant	31	53	53	5.45 kg	1 pc
Flowerpot	VP3 - Table lamp	45	29	26	5.58 kg	1 pc
Flowerpot	VP4 - Table lamp	40	25.5	25.5	1.59kg	1 pc
Mass Light	NA5 - Pendant	35	20	18.5	1.40 kg	3 pc
Mass Light	NA5 - Marble	35	20	18.5	1.90 kg	3 pc
Mass Light	NA6 - Chandelier	-	-	-	7.10 kg	1 pc
Mass Light	NA6 - Marble	-	-	-	11.60 kg	1 pc
Ice Chandelier	SR6	24.5	48	48	9.64 kg	1 pc
Utzon Lamp	JU1 - Pendant	25.5	24.5	24.5	1.24 kg	1 pc
Copenhagen Pendant	SC6	29	24.5	24.5	1.30 kg	2 pc
Copenhagen Pendant	SC6 - Opal glass	31.5	26.5	26.5	1.85 kg	2 pc
Copenhagen Pendant	SC6 - Acrylic diffuser	0.2	14	14	0.04 kg	2 pc
Copenhagen Pendant	SC7	44	40.5	40.5	3.13 kg	2 pc
Copenhagen Pendant	SC7 - Opal glass	45	42	42	3.00 kg	2 pc
Copenhagen Pendant	SC7 - Acrylic diffuser	0.2	26.5	26.5	0.14 kg	2 pc
Copenhagen Pendant	SC8	64	67	67	7.83 kg	1 pc
Copenhagen Pendant	SC8 - Acrylic diffuser	0.2	47.5	47.5	0.45kg	1 pc
Copenhagen	SC13 - shade	31	41	41	1.50 kg	1 pc
Copenhagen	SC13 - base	16	48	26	2.90 kg	1 pc
Copenhagen	SC14 - base	17	158	39	7.5 kg	1 pc
Copenhagen	SC14 - shade	39	59	59	3.5 kg	1 pc
Coenhagen	SC15	24	55	27	2.70 kg	1 pc
Copenhagen	SC16	21	32	19	0.9 kg	1 pc
Trash Me	VV1 - Table lamp	52.5	31	19	2.47 kg	2 pc
Spinning	BH1 - Pendant	52	32	32	2.43 kg	1 pc
Spinning	BH2 - Pendant	41	49	49	4.10 kg	1 pc
Bulb	SR1 - Pendant	11	24	22	0.70 kg	2 pc
Mega Bulb	SR2 - Pendant	29.5	22	22	0.90 kg	2 pc
Journey	SHY1	30.5	26	31	2.04 kg	2 pc

SALES PROCEDURES FOR DEALERS

SALES

VALIDITY

These general Sales Procedures for Dealers and Terms of Sale and Delivery shall supersede all previous agreements and shall apply to any agreement made between &tradition A/S and the buyer unless otherwise agreed.

PRICES

All prices in the price list are stated in EUR exclusive VAT. &tradition A/S reserves the rights to change prices without prior notice and to raise prices without prior notice because of increases in price of raw material, processing, packaging and other sudden changes in costs.

QUOTATIONS

Quotations submitted by &tradition will be valid and binding for 60 days, unless otherwise agreed.

PLACING AN ORDER

Please send your order to info@andtradition.com or to your assigned sales representative. Please make sure your order is correct and includes all information needed to process it, such as item number/quantity/size/color/finish.

Please consider packing sizes, when compiling your order as your quantities will be rounded up, if they cannot be met with our standard packing sizes.

EX-WORKS

For customers with the delivery term EX-WORKS, please note when you place an order, if it needs to be packed for AIR-freight. We will as standard pack the order for SEA-freight. Once the order has been packed and is ready to collect, it is no longer possible to repack the order.

STOCK ITEMS

If one or more stock items are temporarily sold out, when the order is placed, these items will be confirmed on the order confirmation but shipped separately. The original order will be delivered according to our terms of delivery, and the unavailable products will be delivered as soon as they are back in stock.

ORDER CONFIRMATION

You will receive an order confirmation, when the order has been entered into our system. You can usually expect to receive this confirmation within 1-3 working days from when &tradition receives the order. The shipment-date of the order is stated on the order confirmation.

You must always check the order confirmation as soon as you receive it, and contact &tradition at info@andtradition.com or +45 39200233, if you find any discrepancies.

CHANGES AND CANCELLATIONS OF ORDERS

If you do need to change or cancel an order the following rules apply.

Stock items

Changes or cancellations can be made within 24 hours from receiving the order confirmation. Changes or cancellations later than 24 hours are not possible.

Custom-made products

Changes or cancellations can be made within 72 hours from receiving the order confirmation. Changes or cancellations later than 72 hours, will be charged with a fee.

Fee when changes are made:

Depends on the type of change, and how far in the process the product is.

Fee for cancellations:

50% of the order amount will be charged.

Customized products

Changes or cancellations are not possible.

CHANGE OF DELIVERY ADDRESS

Stock-items

The delivery address for an order can be changed within 24 hours of receiving the order confirmation. For orders with a future-given shipment date, the address can be changed 48 hours before the confirmed shipment date.

For a change of delivery address after the order has left our warehouse, a fee will be added, depending on the status of the order.

Custom-made & Customized products

For orders with custom-made or customized products, a fee will be added, depending on the status of the order.

For a change of delivery address after the order has left our warehouse, a fee will be added, depending on the status of the order.

TERMS OF DELIVERY

Stock-item orders will be shipped within 2-3 working days after receiving the order confirmation. If your order or part of it cannot be shipped accordingly, we will notify you, and inform you of the new expected shipment date when possible.

All lead time stated in the price list can only be used as a guideline.

EX-WORKS

Orders with delivery term EX-WORKS will be ready to collect, the day after you receive your invoice. All necessary information will be stated on the invoice.

The order must be picked up no later than 60 days after you have received the invoice, or a warehouse fee will be charged. The fee is 50 EUR per packed unit (colli or pallet) per week.

If an order hasn't been collected within 120 days, it's considered a cancellation, and we will credit you 50% of the invoiced amount.

DELIVERY COST

You will find the delivery costs stated on the order confirmation received.

Delivery costs is calculated based on the total amount of the original order and applies for the invoiced amount for each shipment.

TRANSPORT

STANDARD DELIVERY

We deliver to shop or warehouse address during regular daily opening hours. We don't deliver to residential addresses.

Your order will be delivered within our normal transport set-up. If your delivery needs any special requirements, you must inform &tradition when placing the order, and we will decide, if your enquiry can be handled within our transport set-up. Otherwise an additional fee will be charged.

SALES PROCEDURES FOR DEALERS

FIX DELIVERY / SLOT DELIVERY TIME

If you need a FIXED delivery, FIXED DATE delivery or SLOT delivery for your order, please inform &tradition when placing the order, so that we can include it in the order confirmation. Please note, that you will be charged an extra delivery fee for these options.

FAILED DELIVERY ATTEMPT

If the delivery attempt failed despite compliance with the agreed-upon delivery conditions (opening hours etc.), a surcharge will be invoiced to you according to the size and complexity of the delivery.

DELIVERY CONDITIONS

If your delivery conditions should change, please make sure to inform &tradition, immediately. Further, it's important to inform if the delivery needs to be made with a big or a small lorry, with or without a fork lift, opening hours etc.

CLAIMS

All claims must be reviewed by &tradition. In order to process your claim efficiently, we kindly ask that you register your claim as soon as you find a fault or defect concerning your product and follow the procedure below:

CLAIM PROCEDURE

We kindly ask you to submit your claim according to the instructions given in our claim sheet to info@andtradition.com

- &tradition Sales order no. or Invoice no.
- &tradition Purchase no. (PO no.)
- &tradition Item number
- Description of the claim
- Well-documented pictures

&tradition reserves the right to reject any claim which does not meet the requirements listed in our claim document.

If your claim is accepted, we will proceed to finding the best possible way of replacing the product or remedy the defect. You will be informed on whether you should return or destroy the defective product.

If your claim is rejected, we will inform you with the reasons why, and &tradition will close the case.

TRANSPORT DAMAGES AND MISSING PRODUCTS

If you receive a delivery which does not comply with your expectations, reservations should be made on the waybill or electronic PDA (delivery note).

VISIBLE DAMAGE

Note your reservations on the CMR document or electronic PDA (delivery note) if the goods received appear to have been damaged during transport. The note must include a clear and detailed description of whether the products are damaged, wet, missing etc. Make sure to take pictures of the damaged parcels, pallets and products upon delivery and forward them according to the claim procedure. We need pictures of the parcel before the goods are unpacked and of the damaged product itself. If the CMR document or PDA is signed without any reservation, &tradition is not obligated to accept the claim. &tradition must receive the claim within 2 days of receipt of the goods.

NON-VISIBLE DAMAGE

If there is a visible damage on the product, that might have occurred during transportation, and which is not visible on the parcel, we also need pictures of both product and packaging as described above. &tradition must receive the claim within 7 days of receipt of the goods.

PAYMENT

Invoices are issued and dated, when the orders are dispatched. Please refer to the invoice number or customer number when sending payment and please use the IBAN and Swift Codes stated on your invoice. It is possible to combine payments, so that several orders are paid in just one transfer. All bank charges are the responsibility of the buyer.

Delivered goods remain the property of &tradition A/S until the full purchase price including delivery charges as well as interests payable on arrears is fully paid.

CREDIT INSURANCE

&tradition use a credit insurance company called Atradius, and reserve the right to apply for credit insurance for all our customers. In case the application will be denied, orders need to be prepaid.

DEBITOR POLICY

The first order must be pre-paid and for subsequent orders the general payment terms will be communicated on the order confirmation. Invoices must be paid on time. In case the due date is exceeded, a reminder will be sent. After a third reminder &tradition A/S is obligated to initiate debt collection.

ACCOUNT SUSPENSION

Account suspension means that &tradition A/S cannot process and deliver orders until the overdue amount has been paid.

REACTIVATING A SUSPENDED ACCOUNT

Once the overdue amount has been paid, &tradition A/S will decide if the suspension of the account will be revoked, and orders will be processed and shipped as soon as possible.

OTHER

REQUESTS FOR NON-STANDARD TEXTILES FOR FURNITURE

We offer a selection of design textiles and leathers in our standard textile program, which are listed in the price list. These have carefully been selected by the &tradition design team and are subject to change over time.

If non-standard fabrics are requested, we will inform whether a specific textile is suitable for the requested product and the recommended price. Please contact info@andtradition.com or your local sales representative with your request. For COM orders (Customer Own Material) you are responsible for delivering the correct amount of fabric required directly to our production. Based on which product you want to produce as COM, &tradition will send you all relevant information to proceed with your order.

SALES & CONDITIONS

SALES PROCEDURES FOR DEALERS

ASSEMBLING AND MAINTENANCE GUIDES FOR PRODUCTS

On our website, www.andtradition.com, you will find all our instruction manuals, and care and maintenance guide for our furniture, lighting and accessories.

TERMS OF SALE AND DELIVERY

ORDER HANDLING

After receiving your order, an order confirmation will be sent by email. All order confirmations must be checked by the customer immediately and mistakes must be reported to &tradition A/S.

DELIVERY SCHEDULES

An estimated shipment date will be stated on your order confirmation. Delivery of custom-made products as well as large orders is agreed on a case by case basis.

Should &tradition A/S learn that it is not possible to deliver the goods within the agreed period; the customer will be informed of the delay as soon as possible and informed of a new shipment date. If the delay exceeds 3 months and is not due to force majeure, the customer is entitled to cancel the order. The customer is not entitled to make further claims to &tradition A/S in cases of e.g. delay.

&tradition A/S cannot be held accountable for delivery problems in cases of force majeure. In these situations, delivery schedules will be prolonged.

DELIVERY

Deliveries will be shipped from the &tradition A/S warehouse. The customer is obligated to check the packaging upon receipt of the goods and check that the number of packages corresponds with the delivery note. When distinctly agreed that &tradition A/S is responsible for delivery the following is applicable: If goods and/or packaging are damaged upon receipt the responsibility to accept the order with reservation and to make a remark of this on the delivery note lies upon the recipient. Any damage incurred during transport must be reported directly to &tradition A/S no later than 2 days after receipt.

FORCE MAJEURE

&tradition A/S is not liable for any delays or breach of contract that are due to force majeure.

PAYMENT

&tradition A/S reserves the right to demand full or partial advance payment. Delivered goods remain the property of &tradition A/S until the full purchase price including delivery charges as well as interest's payable on arrears is fully paid. Conditions of payment are stated on the invoice. If the purchaser does not pay in full on the due date, &tradition A/S is entitled to charge interest payable on arrears at a rate of 1,5% per month or part thereof.

TOLERANCES

Any colour samples or samples of wood can only be considered as a guide. &tradition A/S cannot be held responsible for any differences between the sample and the delivered goods, as colour changes occur naturally over time. Variances are not considered to be defects. Colour deviations, minor air bubbles and variations in form and thickness at our mouth blown glass are not considered to be defects. Wear and tear due to normal everyday use on upholstery, surfaces etc. are not considered to be defects.

COMPLAINTS

Any complaints must be filed in writing no later than 7 days after receipt of the goods in question. Any complaints received later than this date cannot be considered unless it is a question of manufacturing defects as stated in the Danish Buyer Law (Purchasing Act) legislation. &tradition A/S has the right to repair or replace the product in question.

WARRANTY

&tradition A/S provides a 2-year right to complaint. The right of complaint is valid from the date of the original invoice, and the right of complaint does not apply in the following situations:

- If the product has been stored or assembled wrongly.
- If the product has been abused or misused, altered or cleaned using the wrong cleaning methods.
- Damage due to normal wear and tear, cuts and scratches, or damage caused by impact or accidents.
- If the product has been placed outdoors or in a humid environment.
- In cases of consequential or incidental damage.

PRODUCT LIABILITY

&tradition A/S can only be held responsible for any material damage caused by its products, if it can be proved that such damage is due to error or negligence on the part of &tradition A/S or of its employees. &tradition A/S can in no way be held responsible for operational losses, loss of earnings or other financial consequences arising from such damage.

ALL RIGHTS RESERVED

&tradition A/S is not responsible for any printing errors and price changes. &tradition A/S reserves the right to make changes or to terminate the manufacture of any model without prior notice.

We value your continued dedication to our brand and products and look forward to continuing our positive cooperation with you.

&tradition A/S
January 2018

&tradition A/S
Kronprinsessegade 4
1306 København K
Denmark

+45 3920 0233 / info@andtradition.com

&tradition
Kronprinsessegade 4
DK - 1306 Copenhagen K
info@andtradition.com
andtradition.com

©&tradition 2018

#andtradition

&tradition[®]

